

Stock 20 Items

# Bench Drilling Machines

For Drill Chucks, see p. 1-1060 to 1062

The number next to the logo mark indicates items in stock for each brand.

Drill Press

Milling Machines

Cutting Machines

Bench Grinder

Grinders

Mixer

Knockers and Vibrators

Heat Processing Blowers

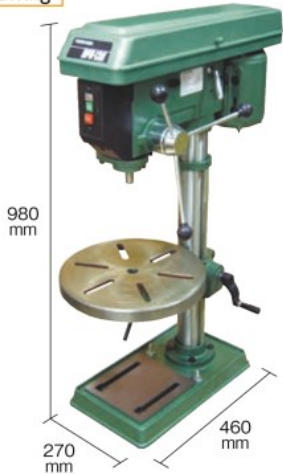
Heater

TRUSCO Stock 38,650 Items

## Bench Drilling Machine

Repairing OK Heavy Caution

Com Drawing



DPN13B (round table) (drill chuck sold separately)



DPN13BK (square table) (drill chuck sold separately)

- Features
- Twelve-step shift that can be adjusted according to the work.
  - The angle and height of the work table can be adjusted.

Specs

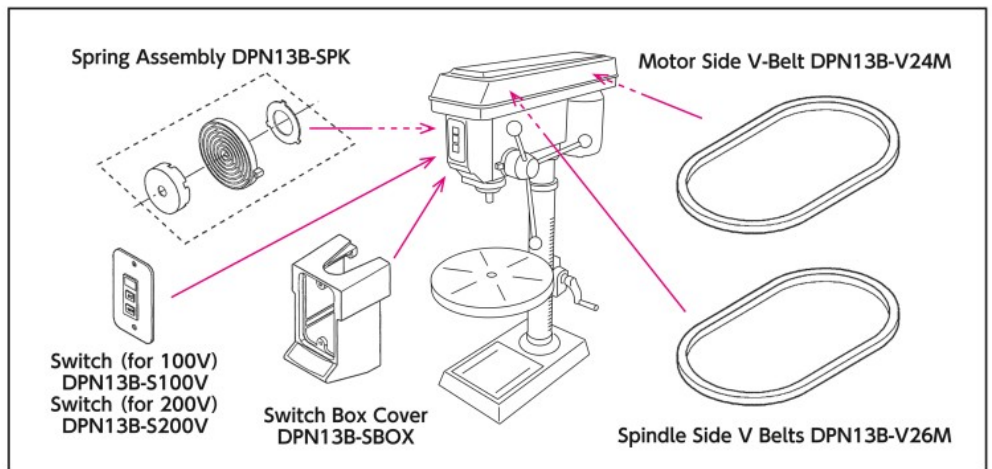
Item No.	DPN13B-1	DPN13B-2	DPN13BK-1	DPN13BK-2
Main Shaft Taper	JT No.6 (with chuck arbor)			
Main Shaft rotation speed 50Hz (rpm)	245 to 2630 (12 shift speeds)			
60Hz	290 to 3150 (12 shift speeds)			
Main Shaft Vertical Motion (mm)	84			
Swing (mm)	390			
W x D x H (mm)	270 x 460 x 980			
Power Cord Length (m)	1.85			

Origin • China

Order Unit: 1 Piece

TRUSCO NAKAYAMA CORPORATION

Order Code	Item No.	Price (per piece)	MSRP (per piece)	Drilling Capacity (mm)	Power (V)	Output (W)	Table Dimension (mm)	SPQ (piece)	Weight (kg)
392-5617	DPN13B-1	¥106,920	¥132,000	13	Single Phase 100	340 (50Hz)/210 (60Hz)	Round 345	1	70
392-5625	DPN13B-2	¥113,400	¥140,000	13	Three Phase 200	320 (50Hz)/200 (60Hz)	Round 345	1	70
392-5633	DPN13BK-1	¥106,920	¥132,000	13	Single Phase 100	340 (50Hz)/210 (60Hz)	Square 328 x 328	1	70
392-5641	DPN13BK-2	¥113,400	¥140,000	13	Three Phase 200	320 (50Hz)/200 (60Hz)	Square 328 x 328	1	70



User Manual



Parts

Order Unit: 1 Piece

Order Code	Item No.	Price (per piece)	MSRP (per piece)	Item Name	Applicable	SPQ (piece)	Weight (g)
765-2160	DPN13B-V26M	¥1,029	¥1,270	Spindle side V belt M26	Common	1	55
765-2151	DPN13B-V24M	¥ 972	¥1,200	Motor side V belt M24	Common	1	45
765-2143	DPN13B-SPK	¥1,944	¥2,400	Spring assembly	Common	1	155
765-2135	DPN13B-SBOX	¥2,511	¥3,100	Switch box cover	Common	1	260
765-2127	DPN13B-S200V	¥1,944	¥2,400	Switch	For Three Phase 200V	1	90
765-2119	DPN13B-S100V	¥1,944	¥2,400	Switch	For Single Phase 100V	1	90

Contact us:0120-509-849 <http://www.orange-book.com/>

RYOBI Stock 355 Items

## Bench Drilling Machine

Repairing OK

- Features
- Precise drilling is possible.
  - Stable drilling on metal/non-metal, wood, plastic, etc., is possible.

Specs

Item No.	TB-1131K	TB-2131
Main shaft taper	JT No.6	
Main Shaft rotation speed 50Hz (rpm)	515 to 2580 (5 steps)	450 to 3000 (5 steps)
60Hz	620 to 3100 (5 steps)	540 to 3600 (5 steps)
Main Shaft Vertical Motion (mm)	50	60
Swing (mm)	170	250
W x D x H (mm)	240 x 420 x 580	260 x 480 x 720
Power Cord Length (m)	1.8	1.8

Origin • China



TB-1131K (square table) (with drill chuck)

Order Unit: 1 Piece

(Price revision date: Apr. 2015) RYOBI

Order Code	Item No.	Price (per piece)	MSRP (per piece)	Drilling Capacity (mm)	Power (V)	Output (W)	Table Dimension (mm)	SPQ (piece)	Weight (kg)
379-9328	TB-1131K	¥36,585	-	13	Single Phase 100	190	Square 162 x 162	1	20
361-0152	TB-2131	¥63,180	-	13	Single Phase 100	190	Square 196 x 213	1	34

Contact us:0570-666-787 <http://www.ryobi-group.co.jp/>