

# Head Loupes

For Batteries, see p. 10-461 to 474

The number next to the logo mark indicates items in stock for each brand.

Optical Precision Measuring Instruments

Surface Roughness Testers

Shape Measuring Instruments

Stereo Microscopes

Microscopes

Illuminated Magnifiers

Lighting for Inspection

Loupe

Inspection Mirrors

Binoculars, Monocles

Drones

Wearable Cameras

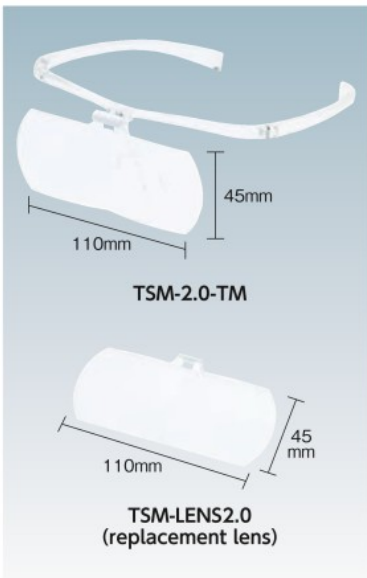
Time Lapse Cameras

3D Printers



Stock 38,650 Items

## Binocular Spectacle Type Loupe (frame type/glasses combination type)



- Features**
- The lens can be flipped up easily when the loupe is not being used.
  - Assembly work, etc. that require the use of both hands.
- Use**
- Frame Type
- Specs**
- Lens: (1.6x, 2.0x) acrylic, (2.3x) polycarbonate
- Materials**
- Soft case, lens cloth
- Accessories**
- Taiwan
- Origin**



Order Unit: 1 Piece

TRUSCO NAKAYAMA CORPORATION

Order Code	Item No.	Price (per piece)	MSRP (per piece)	Magnification (times)	Frame color	Lens Dimension (mm)	SPQ (piece)	Weight (g)
764-2415	TSM-2.0-BK	¥ 7,701	¥ 8,320	2.0	Black	45 x 110	10	35
764-2423	TSM-2.0-TM	¥ 7,701	¥ 8,320	2.0	Transparent	45 x 110	10	35
764-2466	TSM-SET-BK	¥ 12,691	¥ 13,710	1.6/2.0/2.3	Black	45 x 110	10	135
764-2474	TSM-SET-TM	¥ 12,691	¥ 13,710	1.6/2.0/2.3	Transparent	45 x 110	10	135

### Replacement lens

Order Unit: 1 Piece

Order Code	Item No.	Price (per piece)	MSRP (per piece)	Magnification (times)	Lens Dimension (mm)	SPQ (piece)	Weight (g)
764-2431	TSM-LENS1.6	¥ 2,240	¥ 2,420	1.6	45 x 110	10	16
764-2440	TSM-LENS2.0	¥ 2,240	¥ 2,420	2.0	45 x 110	10	19
764-2458	TSM-LENS2.3	¥ 2,750	¥ 2,970	2.3	45 x 110	10	25

Contact us: 0120-509-849 <http://www.orange-book.com/>



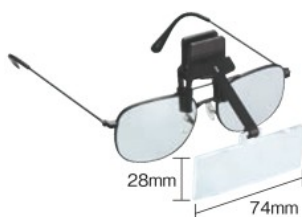
Stock 39 Items

## Binocular Spectacle Type Loupe (clip type)



Stock 6 Items

## Binocular Loupe for Precision Work (clip type)



HF-20ABC (glasses sold separately)

- Features**
- Work that require the use of both hands is possible.
  - Assembly work, inspections, etc.
- Use**
- Clip type
- Specs**
- Lens: Acrylic
- Materials**
- Replacement lens: 2x, 2.5x, 3x
- Accessories**
- Japan
- Origin**



Replacement lens attached (2x, 2.5x, 3x)



FG510

- Features**
- Binocular loupe allows a wide visual field. Together with a soft feeling of wear, fatigue from long-hour work is being reduced.
  - For detailed work.
- Use**
- W hinges working part: Titanium and aluminum materials
- Materials**
- Exclusive case
  - Adjustment tool
- Accessories**
- Japan
- Origin**



Special case Adjustment tool

SPQ: 1 Piece

FUKUI MEGANE INDUSTRY CO.,LTD.

Order Unit: 1 Piece

Order Code	Item No.	Price (per piece)	MSRP (per piece)	Magnification (times)	Lens Dimension (mm)	Focal length (cm)	Weight (g)
855-2650	FG510	¥ 48,600	-	2.5	112 x 60	38	54
855-2651	FG511	¥ 48,600	-	2.5	112 x 60	48	54
855-2652	FG512	¥ 48,600	-	2.5	112 x 60	26	54

Contact us: 0776-38-0513

URL <http://www.ikeda-lens.co.jp/>

Ikeda-lens CORPORATION

Order Unit: 1 Piece

Order Code	Item No.	Price (per piece)	MSRP (per piece)	Magnification (times)	Lens Dimension (mm)	SPQ (piece)	Weight (g)
321-3145	HF-20ABC	¥ 7,221	¥ 7,600	2/2.5/3	28 x 74	1	44.7



Stock 82 Items

## Eye Loupe with Clip-on Light



CPE-50LED

- Features**
- Optimal for people who could not have used a loupe because of wearing glasses.
  - Objects are clearly captured with a LED light.
- Use**
- For inspection, assembly and repair work of precision parts.
- Specs**
- W (max): 80mm
  - Power supply: Lithium coin cell battery (CR1620) x 2 (included)
- Materials**
- Lens: Glass
- Origin**
- Japan

Order Unit: 1 Piece (Price revision date: Jan, 2015) KEIYO MAGNIFIERS'Co.Ltd.

Order Code	Item No.	Price (per piece)	MSRP (per piece)	Magnification (times)	Lens Dimension (mm)	SPQ (piece)	Weight (g)
355-6824	CPE-50LED	¥ 9,026	¥ 9,000	5	φ 23	1	40
355-6808	CPE-100LED	¥ 10,029	¥ 10,000	10	φ 15/φ 23	1	40
355-6816	CPE-200LED	¥ 18,051	¥ 18,000	20	φ 15/φ 23	1	40

Contact us: 043-251-5037 <http://www.keiyo-kouki.jp/>



A pro-tool compact catalog that lists a wide variety of products all in one, including nearly every category on Orange-Book!

Number of Products Listed: approx. **56,000** items

Published once every 2 years

Number of Off-the-shelf Products: approx. **53,200**, off-the-shelf ratio **95%**

Number of Listed Manufacturers: approx. **1,419** companies

Number of Catalog Pages: approx. **2,700** pages

Order Code	Item No.	Price (tax not included)
858-5867	OBJM2018E	¥ 5,500

