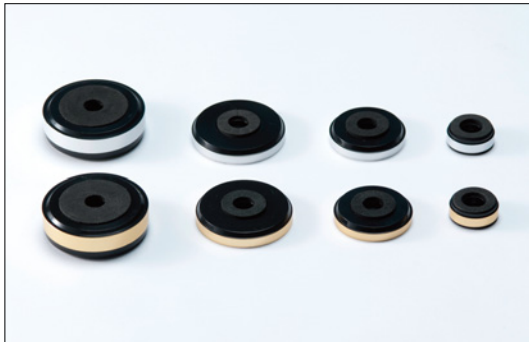
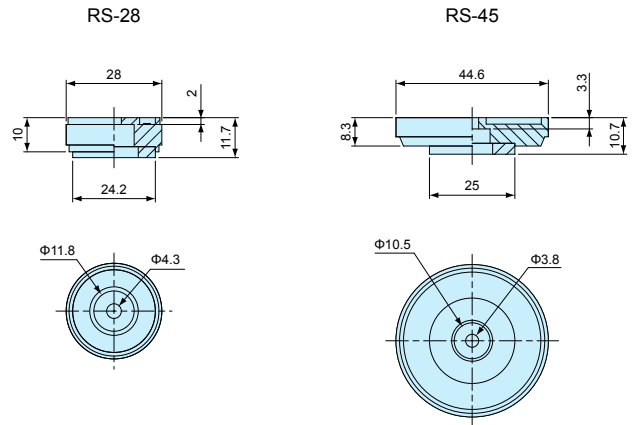


# RS·TC SERIES

## RS SILVER · GOLD PLATED FEET



- Suitable for audio equipment.
- With elastomeric foam pad on the bottom of plastic feet.



### Part no. / Dimensions

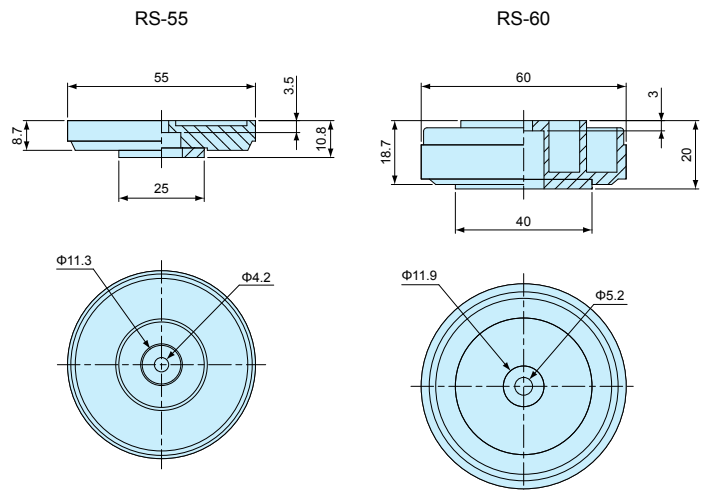
1pack = 4pcs

Part no.	Material	Color / Finish
RS-28□	ABS (UL94HB) / EVA	Silver · Gold plated
RS-45□	ABS (UL94HB) / EVA	Silver · Gold plated
RS-55□	ABS (UL94HB) / EVA	Silver · Gold plated
RS-60□	ABS (UL94HB) / EVA	Silver · Gold plated

• Please suffix color code S or G at the end of part number □ when ordering RS series.

### Color Type

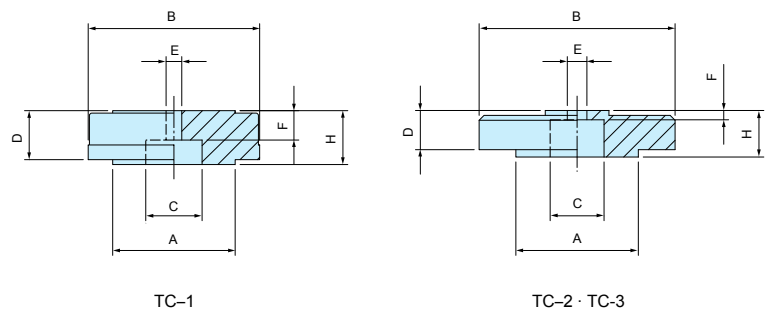
Color code	Color
S	Silver
G	Gold



## TC ALUMINIUM COVERED FEET



- Suitable for audio equipment.
- With elastomeric foam pad on the bottom of aluminium feet.



### Color Type

Color code	Color
S	Silver
G	Gold

### Part no. / Dimensions

• Please suffix color code S or G at the end of part number □ when ordering TC series.

1pack = 4pcs

Part no.	A	B	C	D	E	F	H	Material
TC-1□	25	35	11.5	9.7	3.4	5.6	11.5	ABS (UL94HB) / Aluminium
TC-2□	25	40	11	10.2	4.1	2.1	12	ABS (UL94HB) / Aluminium
TC-3□	25	45	11.7	12	4.2	7.5	15	ABS (UL94HB) / Aluminium