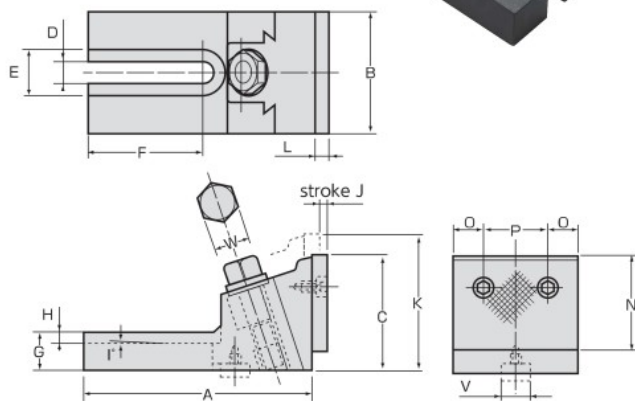




- Material : FCD450
- Finish : Black finish / Mouth piece : grinding finish



FV-N

FREE VISE (a Pair)

► Features

- Can be used when the work is too big to fix regular vise.
- The body bottom is designed with a key pitch so that step key can be used.

► Accessories

- Spherical flange nut (SFN) × 4 pcs
- T-slot bolt (TBM) × 2 pcs
- Step key (FKY) × 2 pcs
- Cap screw × 2 pcs

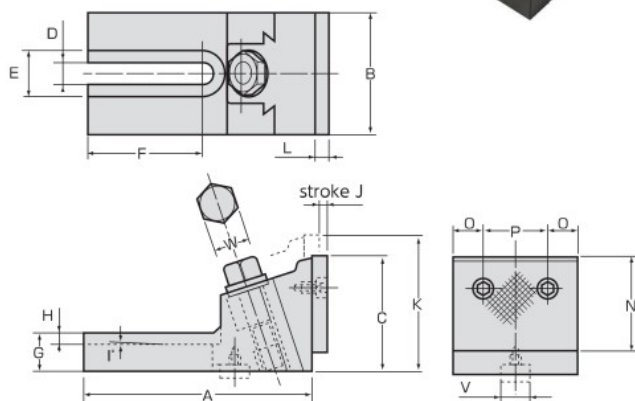


Item No.	Tightening force (kN)	Accessories				Size (mm)			
		Cap screw	Step key	T-slot bolt	Flange nut	A	B	C	D
FV350N	23	CS610	FKY16	TBM1275	12MSFN	132	70	72	14.5
FV450N	28	CS610	FKY18	TBM1675	16MSFN	180.5	85	87	17
FV550N	38	CS610	FKY20	TBM20100	20MSFN	207	110	105	21

Item No.	Size (mm)												N.W. (kg) (a pair)
	E	F	G	H	J	K	L	N	O	P	V	W	
FV350N	29	55	25	5.7	5	84	10	60	15	40	16	19	6.8
FV450N	37	80	30	7.9	5	100	12	70	17.5	50	18	24	13
FV550N	42	100	36	10.2	7	125	13	85	25	60	20	30	21



- Material : FCD450
- Finish : Black finish / Mouth piece : grinding finish



FV-E

FREE VISE (Economy Type) (a Pair) (* No accessories included)

► Features

- Can be used when the work is too big to fix regular vise.
- The body bottom is designed with a key pitch so that step key can be used.

► Example of use



Item No.	Tightening force (kN)	Size (mm)														N.W. (kg) (a pair)		
		A	B	C	D	E	F	G	H	J	K	L	N	O	P		V	W
FV350E	23	132	70	72	14.5	29	55	25	5.7	5	84	10	60	15	40	16	19	6.8
FV450E	28	180.5	85	87	17	37	80	30	7.9	5	100	12	70	17.5	50	18	24	13
FV550E	38	207	110	105	21	42	100	36	10.2	7	125	13	85	25	60	20	30	21