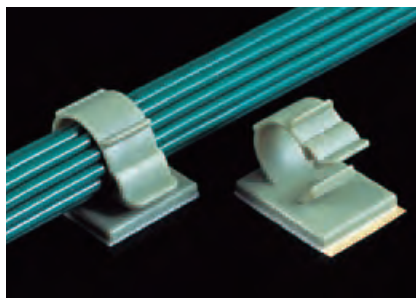


# Wire clamp

## S series



### Pull-tab type



#### Feature

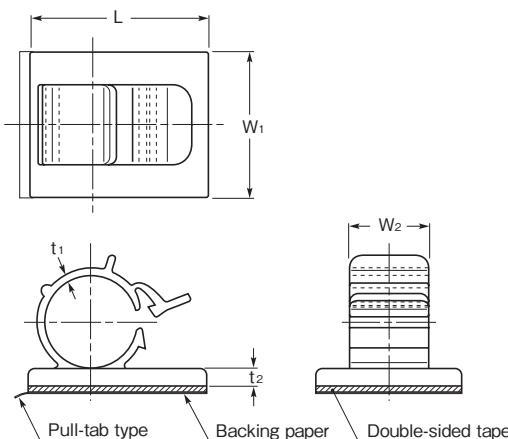
- For holding a bundle of wire and cable.
- Easily lockable, hard to come out, highly reliable.
- Double-side adhesive tape type, smooth remove backing paper with pull-tab.

#### Material

Nylon 6 UL94V-2

#### Standard color

Gray



Part No.	Applicable Dia. (Max.)	Dimensions (mm)					Packing unit (pieces)
		L ± 0.3	W1 ± 0.3	W2	t1	t2	
S-504	φ 4.5	12.0	17.5	5.0	0.9	1.9	100
S-506	φ 6.5	15.0	17.5	7.0	0.9	2.3	
S-508	φ 8.5	15.0	17.5	9.0	0.9	2.5	
S-510	φ 10.0	29.5	22.0	12.0	1.0	2.8	
S-514	φ 14.0	29.5	24.0	13.0	1.2	3.0	50
S-518	φ 18.0	29.5	27.0	14.0	1.2	3.0	
S-525	φ 25.0	45.0	34.0	17.5	1.5	3.0	20

#### Reference P120

Please refer to the "Cautions concerning the use of product with the double-sided tape."

# Wire clamp With sponge

## SSP series



### Pull-tab type



#### Feature

- Wire clamp: This is the series that SL series having sponge at the wire holding part.
- Protect wire, optical fiber etc from the damage due to the sponge.
- Effective for shock/vibration absorption.

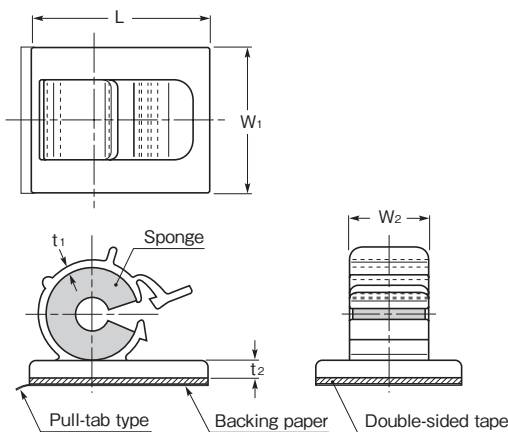
#### Material

Bodyng : Nylon 6 UL94V-2

Sponge : Synthetic rubber Hardness : 25

#### Standard color

Gray



Part No.	Applicable Dia. (Max.)	Dimensions (mm)					Packing unit (pieces)
		L ± 0.3	W1 ± 0.3	W2	t1	t2	
SSP-510	φ 6.0	29.5	22.0	12.0	1.0	2.8	50
SSP-514	φ 10.0	29.5	24.0	13.0	1.2	3.0	
SSP-518	φ 14.0	29.5	27.0	14.0	1.2	3.0	
SSP-525	φ 19.0	45.0	34.0	17.5	1.5	3.0	

#### Reference P120

Please refer to the "Cautions concerning the use of product with the double-sided tape."