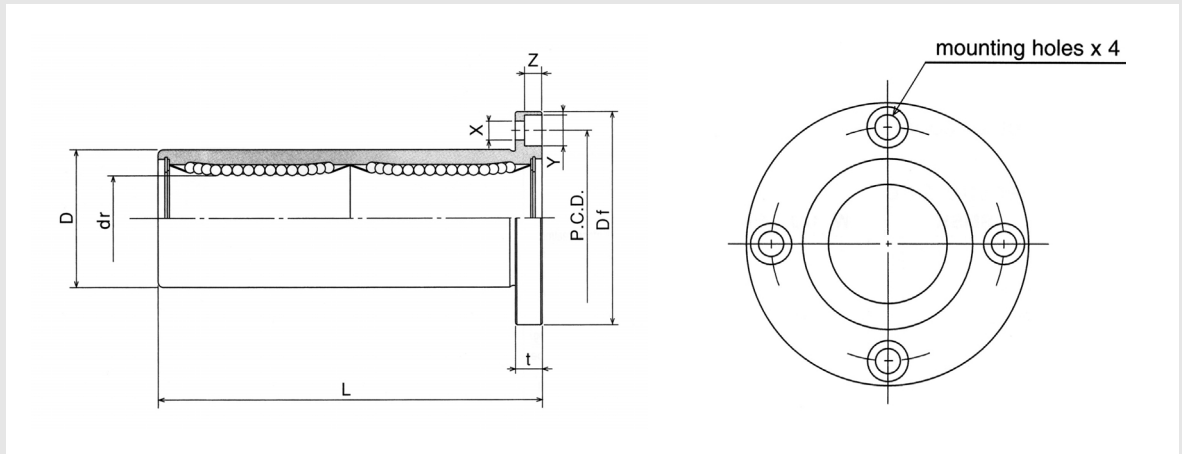


Linear Bushings

Asia type Ball Bushing

SBF-L Flange type



Model number	Number of ball circuits	dr		D		L		Df	t
			Permissible tolerance		Permissible tolerance		Permissible tolerance		
SBF6L	4	6	0 -0.010	12	0	35	-0.3	28	5
SBF8L	4	8		15	-0.013	45		32	5
SBF10L	4	10		19	0	55		40	6
SBF12L	4	12		21		57		42	6
SBF13L	4	13		23	-0.016	61		43	6
SBF16L	5	16		28	70	48		6	
SBF20L	5	20	32	0 -0.019	80	54		8	
SBF25L	6	25	40		112	62		8	
SBF30L	6	30	45	123	74	10			
SBF35L	6	35	52	0	135	82		10	
SBF40L	6	40	-0.015	60	-0.022	154		96	13
SBF50L	6	50	0	80	0	192		116	13
SBF60L	6	60	-0.020	90	-0.025	211	134	18	

① E : Eccentricity (Max)

② S : Squarness

③ C : Basic dynamic load rating

④ Co : Basic static load rating

⑤ M : Mass