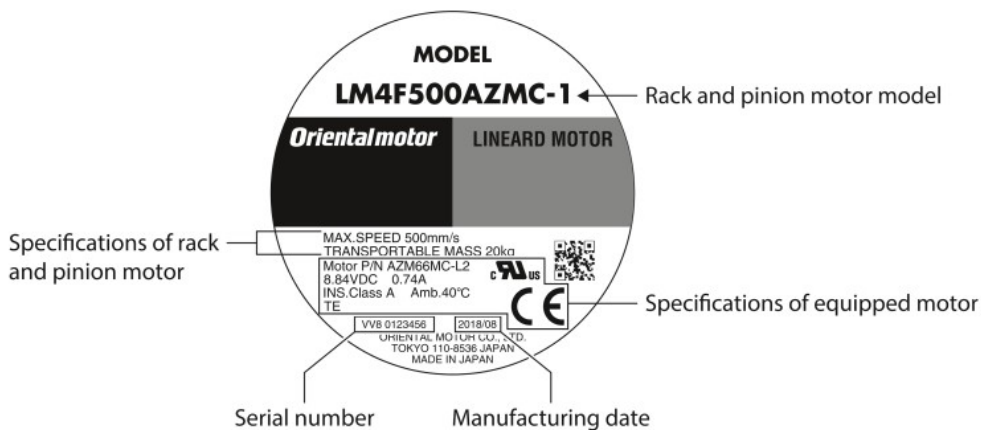


## 4-4 Information about nameplate

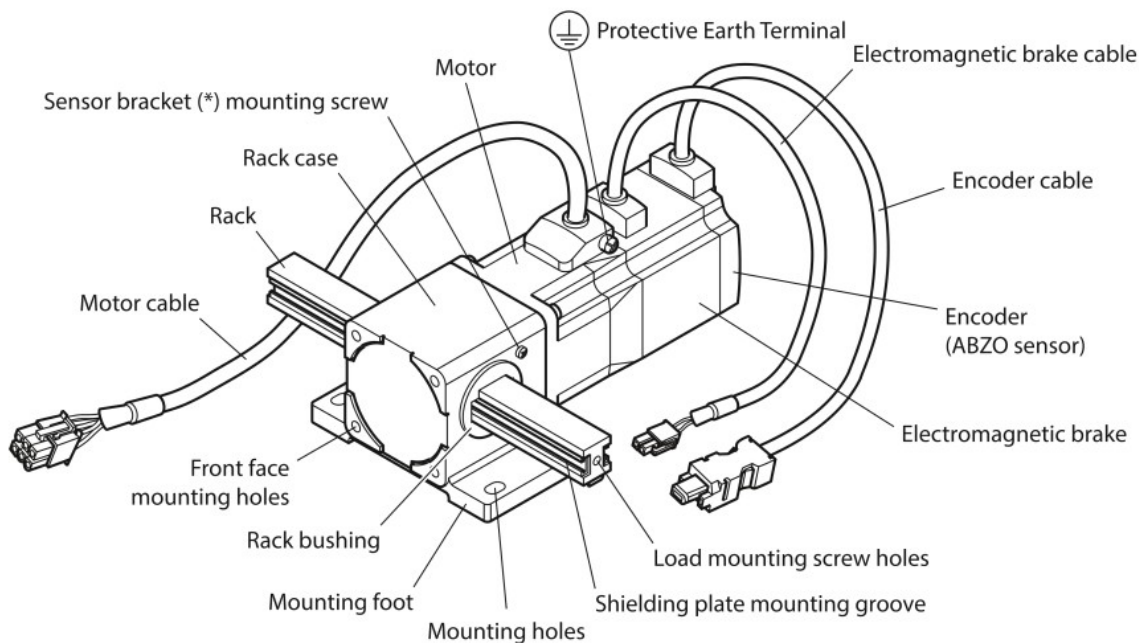
The figure shows an example.



**memo** The position describing the information may vary depending on the product.

## 4-5 Names of parts

The figure shows the LM2B500AZMC-1.



\* It is a bracket to install our photomicrosensor set.