

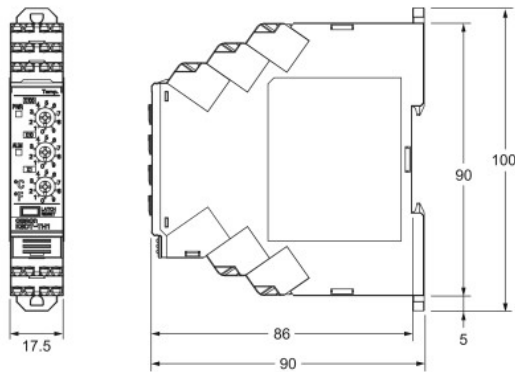
K8DT-TH

Dimensions

(Unit: mm)

Temperature Monitoring Relay

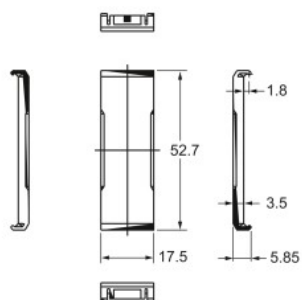
K8DT-TH



Options (Order Separately)

Front Cover

Y92A-D1A

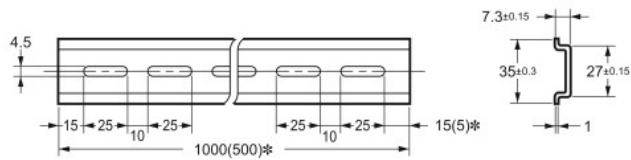
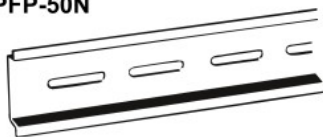


Optional Parts for DIN Track Mounting

DIN Tracks

PFP-100N

PFP-50N



* Dimensions in parentheses are for the PFP-50N.