
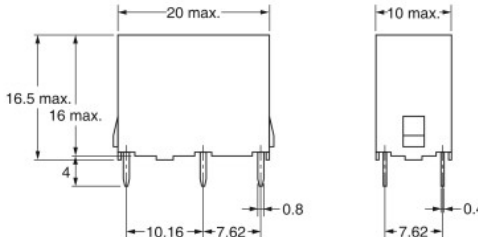


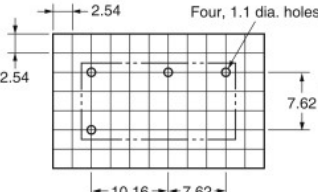
■Dimensions

(Unit: mm)

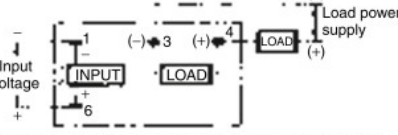
G3S
G3SD

Mounting Holes (BOTTOM VIEW)
Tolerance: ± 0.1 mm




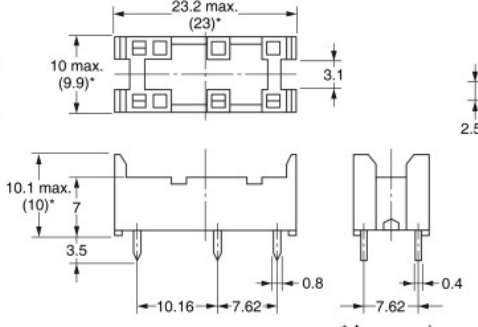
Terminal Arrangement/ Internal Connections (BOTTOM VIEW)



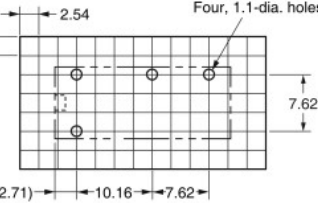
Note: Values in parentheses apply to the DC-load versions.

■Connecting Socket

G6B-04P

Mounting Holes (BOTTOM VIEW)
Tolerance: ± 0.1 mm




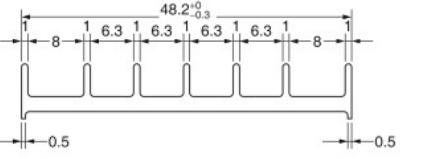
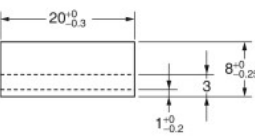
Model	P6B-04P
Minimum order quantity (pcs)	20

Note: Order the models below in increments of the minimum quantity packaged.

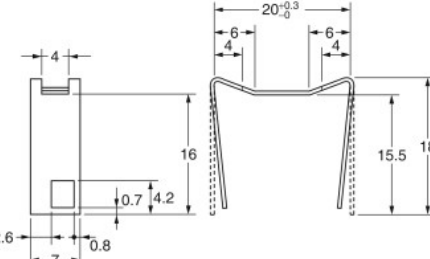
* Average value

Heat Sink

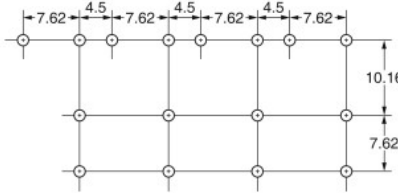
Y92B-S08N

Mounting Bracket



Mounting Holes (BOTTOM VIEW)
Tolerance: ± 0.1 mm



Model	Y92B-S08N
-------	-----------

Note: The Y92B-S08N Relay is composed of heat sink with two mounting tools.

■Safety Precautions

• Please refer to "Solid State Relays Common Precautions" for correct use.

Precautions for Correct Use

• Close Mounting

G3S-201PL-PD and G3SD-Z01-PD SSRs can be closely mounted side by side. Attach the Y92B-S08N Heat Sink to the SSRs mounted closely side by side. When these SSRs are mounted side by side, the load current vs. ambient

temperature characteristic declines as shown below. Apply a thin layer of Momentive Performance Materials's YG6260 or Shin-Etsu Chemical's G747, or similar product to the heat sink before mounting. When these SSRs are mounted side by side (with heat sink), the load current vs. ambient temperature characteristic declines as shown on the right.

• Load Current vs. Ambient Temperature Characteristics

(When four SSRs are mounted closely side by side and each of them is switched to the same load current)

