

M4 Series

M4 pedal body is made in ABS resin and is mini-type foot switch of high credibility.



Features

- Smart design harmonizes to all devices.
- It is made in safe and strong ABS resin and it is safe in pressure operation of 1000 N.
- It can make nameplate (12 × 50) display as well of your company for OME.
- 2 color of gray and black is standard.
(OFL-SA-M4, OFL-SA5-M4, OFL-SA-M45 is only gray.)

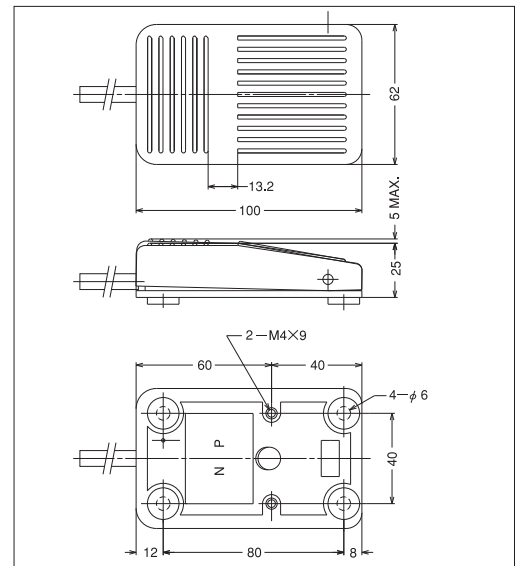
Resin-made mini type

● OFL-□-M4 Type (Backward fulcrum)

● OFL-V-M4 Type



● OFL-IV-M4 Type



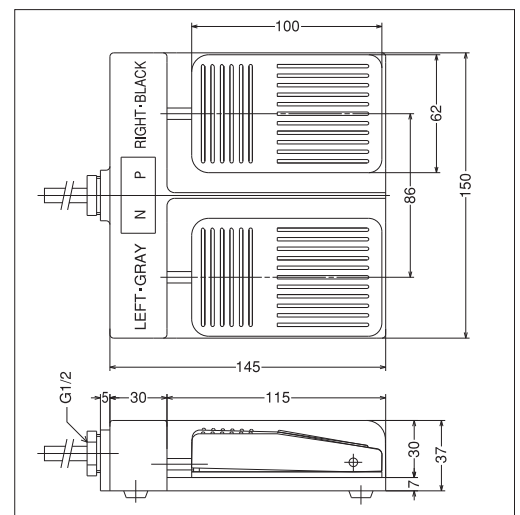
Twin Type

● OFL-T□-M4 Type (Backward fulcrum)



Major Applications

- Most appropriate to operation of electromagnet switch and 2 circuits.



◆ Contact and sender wire classification by color
Each side SPDT

