

OFL standard Series



OJIDEN is the only full-fledged Foot Switch manufacturer in Japan. Since our business inauguration, which was more than fifty years ago, we put great value on producing things for human life and dignity. We have always strived to further improve product safety and cost effectiveness in line with preserving the global environment. We are very much proud that our products are highly evaluated in their reliability and are used in the variety of industries in the world.

Major Applications

- Industrial machine (each machine tool), The transportation, vehicle (the train, bus), Woodworking device, Equipment device, Measuring device, Public welfare device overall

Part Numbering

OFL -

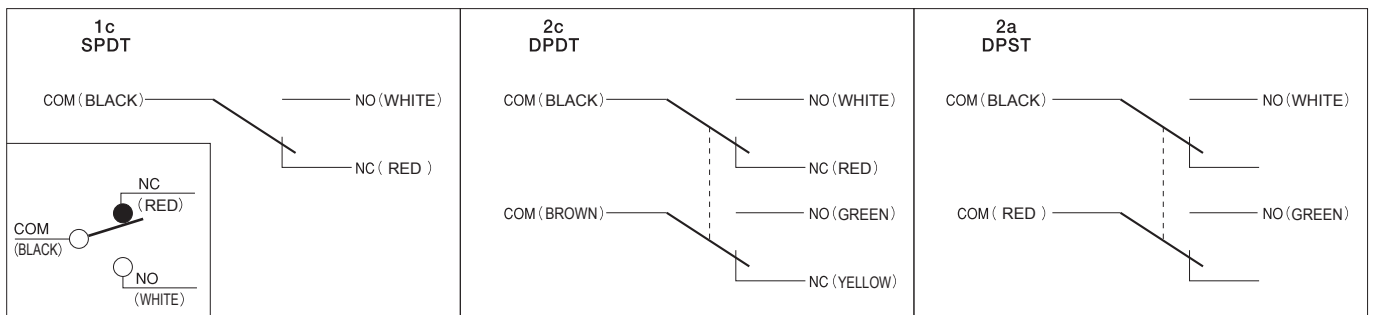
① ② ③

- ① OJIDEN FOOT LIMITSWITCH is shown.
 - ② Property of inclusion switch, pole number and the faculty are shown.
 - ③ Protective cover (option made from stainless steel) CS type is shown.
- ※ ② The characteristic and performance of a built-in switch should consult P.32.

- 1, 2----- Z microswitch inclusion is shown.
- TW ----- Z microswitch inclusion, twin style is shown.
- TV ----- V microswitch inclusion, twin style is shown.
- X ----- DC. Z microswitch inclusion is shown.
- BS----- Lock style Z microswitch inclusion is shown.
- F, 2F --- Lock style push button switch inclusion is shown.
- R ----- Leadswitch inclusion is shown. (seal structure type)
- 55 ----- Sealing up Z microswitch inclusion is shown.

Explanation of operation

- ◆ Momentary / Switch opens and closes in working a pedal. If it releases, it will return to the condition of a source.
- ◆ Alternate / It works a pedal, on and, even if it releases, it holds as it is. When it steps on one more time, it becomes off.
- ◆ Contact and sender wire classification by color



OFL-1 Inner part structure

ITEM	PART NAME	MATERIAL
①	Body	Aluminum die-cast
②	Pedal	Aluminum die-cast
③	Shaft	Mild steel (plated)
④	Spring	Piano wire (plated)
⑤	Built-in switch	Z microswitch
⑥	Cord	VCTF (1.25 mm ² x 3 strands x 1 m; gray)
⑦	Packing	Chloroprene rubber (black)
⑧	Connector (G1/2 screw)	Polyacetal resin (black)