

Unit: mm

Specification 2

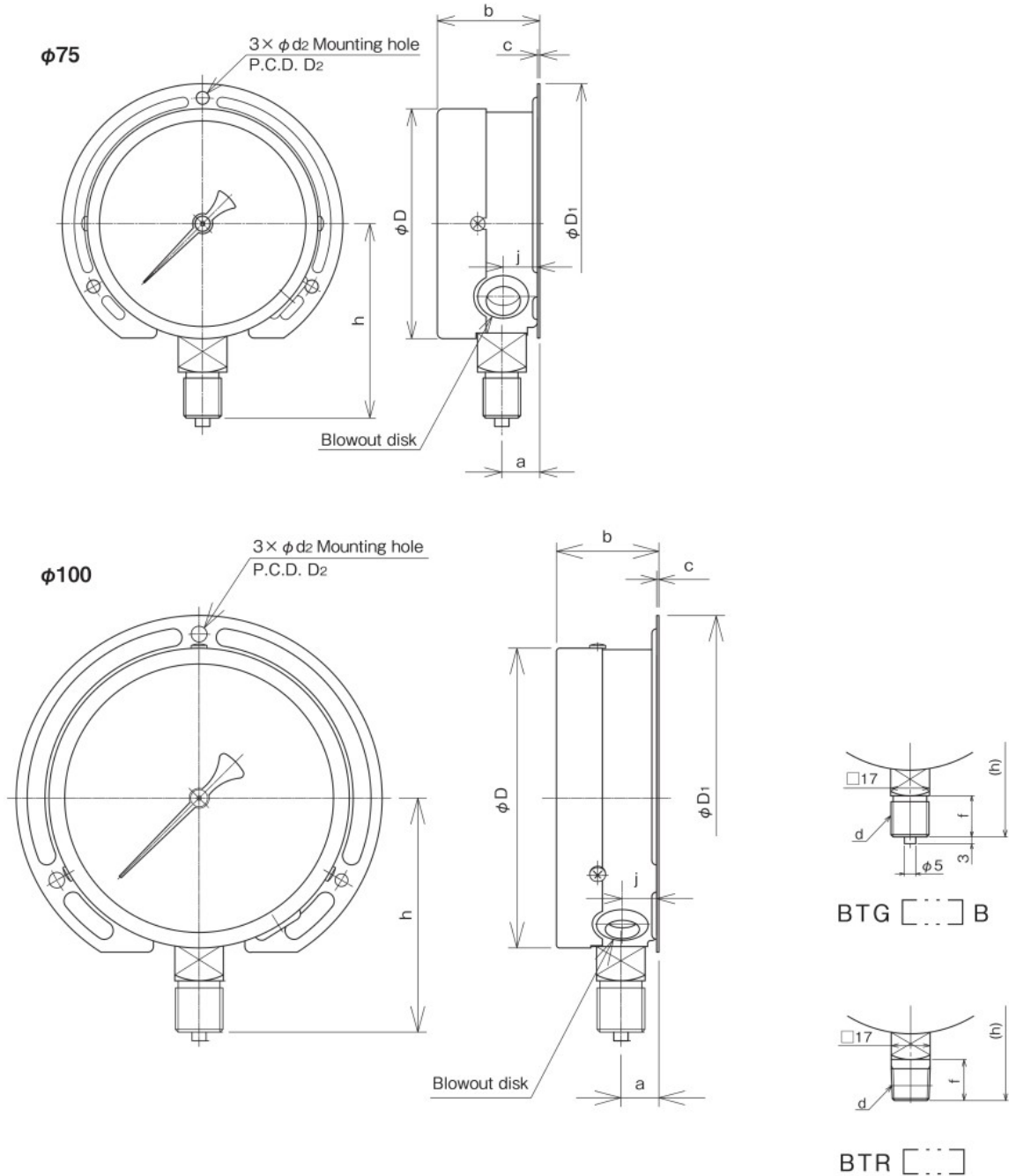
Shape / Dimensions:

Lower connection

Type B...Back flange is fastened to panel by screw.

Weight:

Size	Weight
75	Approx. 300g
100	Approx. 400g



Size	Shape / Connection		Case / Dimensions									Model number	
	d		D	D ₁	D ₂	a	b	c	d ₂	j	f		h
75	T	G1/4B, R1/4	80.5	98	88	13.5	36	0.8	4.5	12	16	68	AC20-2□□
		G3/8B, R3/8									18	70	
100	T	G3/8B, R3/8	105.5	128	115	13.5	36	0.8	5.5	12	18	82	AE20-2□□
		G1/2B, R1/2				16					20	88	