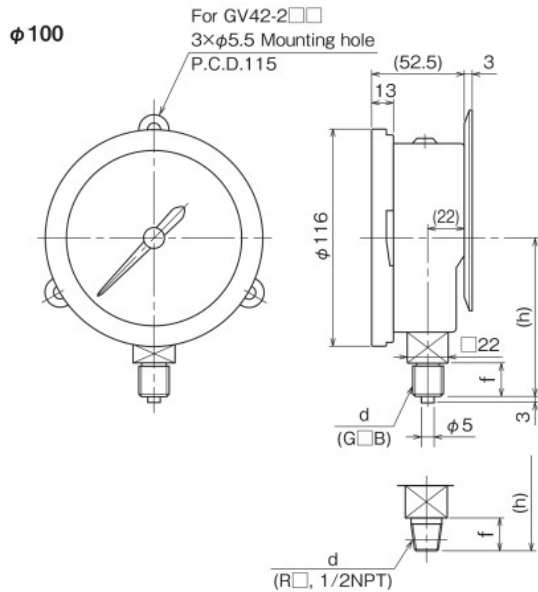


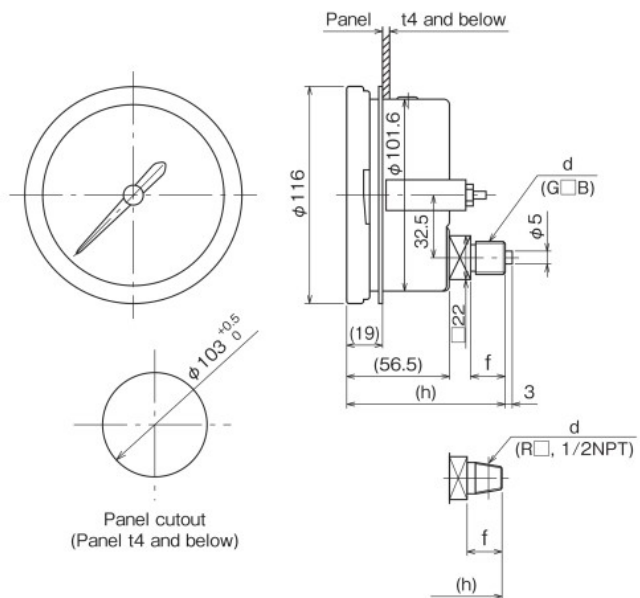
Dimensions 2

Unit: mm



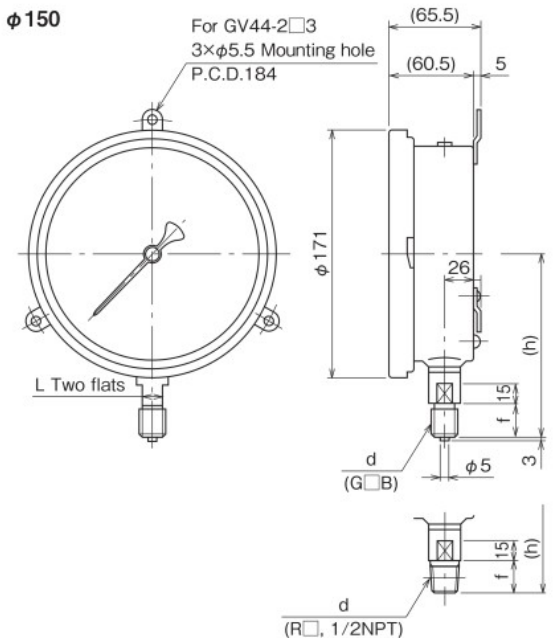
GV42-□□□

d	f	h
G3/8B	18	86
R3/8		
1/2NPT		
G1/2B	20	88
R1/2		



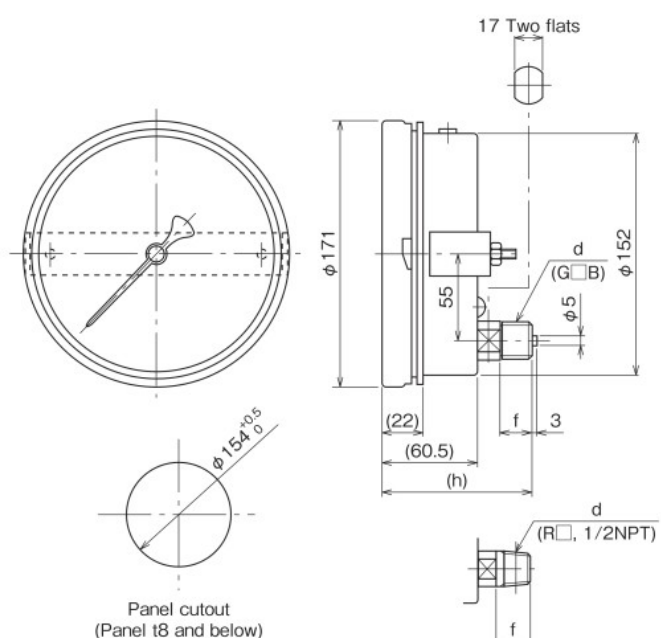
GV47-1□□

d	f	h
G3/8B	18	87
R3/8		
1/2NPT		
G1/2B	20	89
R1/2		



GV44-□□□3

d	f	h	L
G3/8B	18	123	14
R3/8			
1/2NPT			
G1/2B	20	125	17
R1/2			



GV49-1□□3

d	f	h
G3/8B	18	91
R3/8		
1/2NPT		
G1/2B	20	93
R1/2		