

XBS-C / XBSS-C Flexible Coupling - Single - Disk Type

WEB Selection Tool

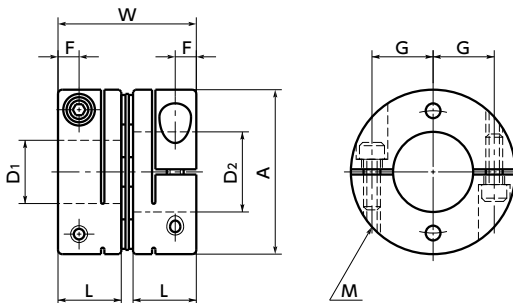
WEB CAD Download

Zero Backlash

High Rigidity

SUS Stainless steel

XBS-C Aluminum alloy hub

XBSS-C Made of all stainless steel


Dimensions

Unit : mm

Part Number	A	L	W	F	G	M	Screw Tightening Torque (N·m)
XBS-15C2	15	7.5	16	2.3	5.25	M2	0.5
XBS-19C2	19	9	19	2.5	7.1	M2	0.5
XBS-25C2	25	11	23.6	3.5	9.25	M2.5	1
XBS-27C2	27	11	23.6	3.5	10.25	M2.5	1
XBS-34C3	34	12	26.2	4	13	M3	1.5
XBS-39C2	39	15	32.8	5	14.5	M4	3.5
XBS-44C2	44	15	32.8	5	17	M4	3.5
XBS-56C3	56	20	43.2	6	21.25	M5	8
XBS-68C5	68	24	53	7	25	M6	13
XBS-82C5	82	31	68	9	29.5	M8	30
XBS-94C7	94	31	68.8	9	35.5	M8	30
XBS-104C8	104	32	71.2	9	40.5	M8	30
XBSS-15C2	15	7.5	16	2.3	5.25	M2	0.5
XBSS-19C2	19	9	19	2.5	7.1	M2	0.5
XBSS-25C2	25	11	23.6	3.5	9.25	M2.5	1
XBSS-27C2	27	11	23.6	3.5	10.25	M2.5	1
XBSS-34C3	34	12	26.2	4	13	M3	1.5
XBSS-39C2	39	15	32.8	5	14.5	M4	3.5
XBSS-44C2	44	15	32.8	5	17	M4	3.5
XBSS-56C3	56	20	43.2	6	21.25	M5	8

size	Standard Bore Diameter																											
	D1	D2	3	4	5	6	8	10	11	12	14	15	16	18	19	20	22	24	25	28	30	32	35	38	40	42	45	50
15C2	●	●	●	●																								
19C2		●	●	●	●																							
25C2			●	●	●	●																						
27C2				●	●	●	●	●																				
34C3					●	●	●	●	●	●			●															
39C2						●	●	●	●	●	●	●	●	●	●	●												
44C2							●	●	●	●	●	●	●	●	●	●	●											
56C3								●	●	●	●	●	●	●	●	●	●	●	●	●	●							
68C5*1												●	●	●	●	●	●	●	●	●	●	●	●	●	●	●	●	●
82C5*1																●	●	●	●	●	●	●	●	●	●	●	●	●
94C7*1																			●	●	●	●	●	●	●	●	●	●
104C8*1																								●	●	●	●	●

- All products are provided with hex socket head cap screw.

- Recommended dimensional allowances of applicable shaft diameter are h6 and h7.

- In case of mounting on D-cut shaft, be careful about the position of the D-cut surface of the shaft. → P.257

- *1 This size is only for **XBS-C**.

Additional Keyway at Shaft Hole → P.788

Cleanroom Wash & Packaging → P.792

SUS Change to Stainless Steel Screw → P.790

Available / Add'l charge

Available / Add'l charge

Available / Add'l charge