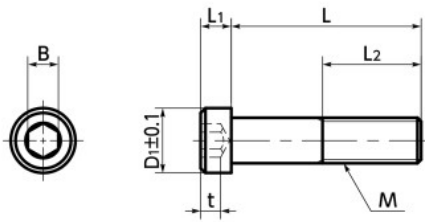


SLH-SD/SLHS-SD Socket Head Cap Screws with Low & Small Head

SUS Stainless steel Protrusion Small Head



● Application

Reducing the size of equipment and devices

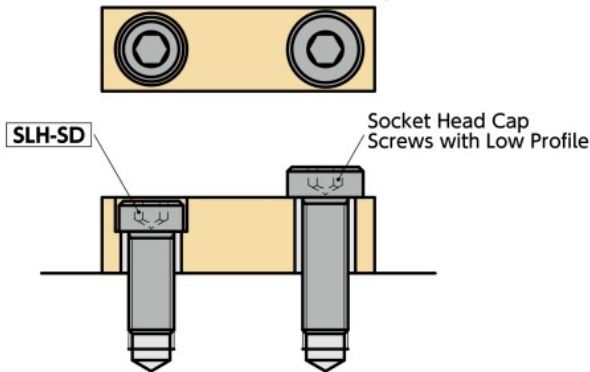
● Material/Finish



	SLH-SD	SLH-SD-EL	SLHS-SD
Main Body	SWCH45K Ferrosoferric Oxide Film (Black)	SWCH45K Electroless Nickel Plating	SUSXM7 (Equivalent to SUS304)
Strength Class	8.8	8.8	A2-50

● Usage example

It is possible to perform spot facing and hide the head in locations where spot facing is not possible with standard socket head cap screws.



- Socket head cap screws with low profiles and small head diameters. Able to reduce the spot facing diameters compared to standard socket head cap screws with low profiles.

⚠ Precautions for Use

- Since the head bearing surface area is small, bearing surface pressure become high.
- Using the following formula as a reference, ensure that the bearing surface pressure due to screw tightening does not exceed the permitted surface pressure of the intended fastening material.

$$P = \sigma \frac{A_s}{A}$$

P : Bearing surface pressure (N/mm²)
 σ : Bolt stress (N/mm²)
 A_s : Screw effective sectional area (mm²)
 A : Bearing surface area (mm²)

$$\text{Bearing surface area } A = \pi \frac{(D_1^2 - d^2)}{4}$$

D_1 : Head diameter (mm)
 d : Drilled hole diameter (mm)

● Head Diameter and Screw Effective Cross-sectional Area

Part Number	Head Diameter (mm)	Screw effective cross-sectional area (mm ²)
SLH-M3-SD	4.5	5.03
SLH-M4-SD	5.5	8.78
SLH-M5-SD	7	14.2
SLH-M6-SD	8.5	20.1
SLH-M8-SD	11	36.6
SLH-M10-SD	13.5	58