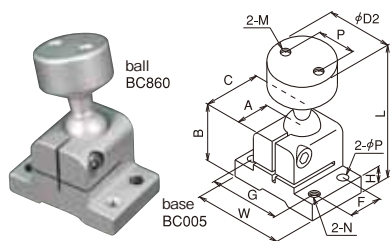


# Assembly

combination of joint-base for various use and joint-ball

For close-connection

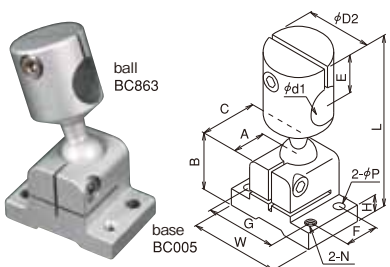
3-D bracket - How to specify					
For assembly					
<b>BC 13 - 005 860 W</b>					
Bracket	Joint-base	Joint-ball	Color		
BC: Standard	001: Shaft	860-817	W: White	B: Black	
SQ: Rect-hole	002 Screw-fixed	004 Boss	006 flange	007 L-shape	
		005 for close-connection			



## ■screw attachment

※withstand load = 50mm from the center of sphere

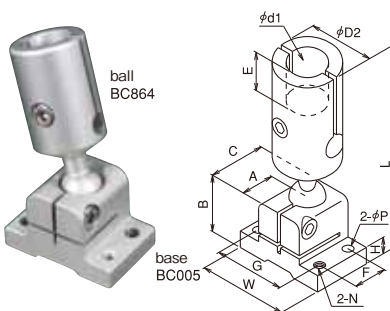
Part No.	color	φD2	P	2-Mxvalid	A	B	C	H	W	L	F	G	2-φP	2-N	Cap screw	Horizontal load N		
BC06-BC08-	005860	W (White)	φ13	9	M3×5	9	15.5	14	5.5	26	29.5	7	19	3.5	M3	M3	23	
BC09-																	26	
BC10-																	33	
BC12-																	37	
BC13-																	78	
BC15-BC16-																	98	
BC19-BC20-		B (Black)	φ22	12	M4×8	14	24.5	24	7.5	38	47.5	48	12	29	4.5	M4	M4	138
BC15-																		154
BC16-																		154
BC19-																		167
BC20-																		167
BC20-																		177



## ■horizontal attachment

※withstand load = 50mm from the center of sphere

Part No.	color	φD2	φd1	E	A	B	C	H	W	L	F	G	2-φP	2-N	Cap screw	Horizontal load N		
BC06-BC08-	005863	W (White)	φ13	φ6	9	9	15.5	14	5.5	26	35.5	7	19	3.5	M3	M3	23	
BC08-																	26	
BC09-																	33	
BC10-																	37	
BC12-																	78	
BC13-																	98	
BC15-BC16-		B (Black)	φ22	φ12	14	14	24.5	24	7.5	38	57.5	59	12	29	4.5	M4	M4	138
BC15-																		154
BC16-																		154
BC19-																		167
BC20-																		167
BC20-																		177



## ■vertical attachment

※withstand load = 50mm from the center of sphere

Part No.	color	φD2	φd1	E	A	B	C	H	W	L	F	G	2-φP	2-N	Cap screw	Horizontal load N		
BC06-BC08-	005864	W (White)	φ13	φ6	7	9	15.5	14	5.5	26	44.5	7	19	3.5	M3	M3	23	
BC08-																	26	
BC09-																	33	
BC10-																	37	
BC12-																	78	
BC13-																	98	
BC15-BC16-		B (Black)	φ22	φ12	13	14	24.5	24	7.5	38	67.5	68	12	29	4.5	M4	M4	138
BC15-																		154
BC16-																		154
BC19-																		167
BC20-																		167
BC20-																		177

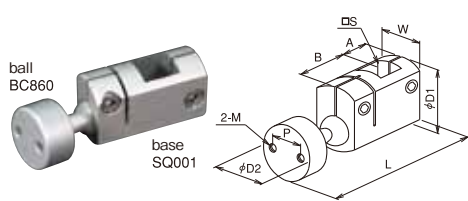
For assembly

Square-hole

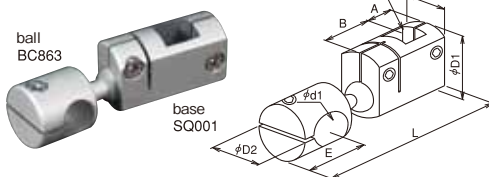
for positioning and replicating without swinging

## ■screw attachment

※withstand load = 50mm from the center of sphere



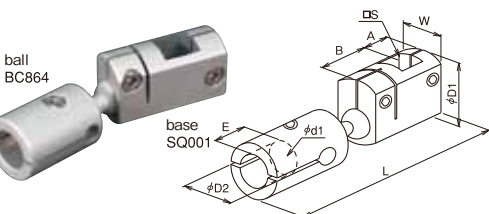
Part No.	color	□S	φD1	A	B	W	L	φD2	P	2-Mxvalid	Cap screw	Horizontal load N		
SQ06-	001860	W (White)	φ15	10.5	15	10	39.5	φ13	9	M3×5	M3	23		
SQ08-													26	
SQ09-													33	
SQ10-													37	
SQ12-													78	
SQ13-		B (Black)	φ25	16	24.5	18	63.5	64.5	φ22	12	M4×8	M4	98	
SQ15-														138
SQ16-														154
SQ19-														167
SQ20-														177
SQ25-		W (White)	φ45	25	45	34	113.5	φ37	20	M6×12	M6	493		



## ■horizontal attachment

※withstand load = 50mm from the center of sphere

Part No.	color	□S	φD1	A	B	W	L	E	φD2	φd1	Cap screw	Horizontal load N		
SQ06-	001863	W (White)	φ15	10.5	15	10	45.5	9	φ13	φ6	M3	23		
SQ08-													26	
SQ09-													33	
SQ10-													37	
SQ12-													78	
SQ13-		B (Black)	φ25	16	24.5	18	73.5	14	φ22	φ12	φ13	M4	98	
SQ15-														138
SQ16-														154
SQ19-														167
SQ20-														177
SQ25-		W (White)	φ45	25	45	34	134	24.5	φ37	φ25.1	φ25.1	M6	493	



## ■vertical attachment

※withstand load = 50mm from the center of sphere

Part No.	color	□S	φD1	A	B	W	L	E	φD2	φd1	Cap screw	Horizontal load N		
SQ06-	001864	W (White)	φ15	10.5	15	10	54.5	7	φ13	φ6	M3	23		
SQ08-													26	
SQ09-													33	
SQ10-													37	
SQ12-													78	
SQ13-		B (Black)	φ25	16	24.5	18	83.5	13	φ22	φ12	φ13	M4	98	
SQ15-														138
SQ16-														154
SQ19-														167
SQ20-														177
SQ25-		W (White)	φ45	25	45	34	140.5	23	φ37	φ25.1	φ25.1	M6	493	