

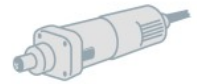
Wheel Brushes with Shank



1



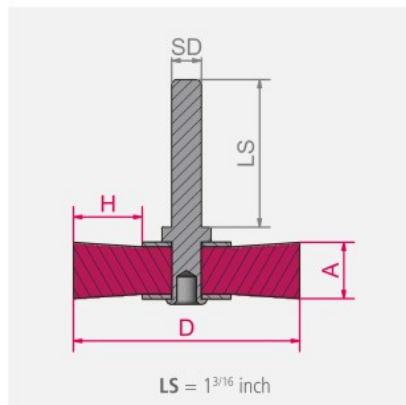
2



Wheel Brushes with Shank Ø 6 mm, Steel Wire

D	A	H	RPM	Pack.	1 2			
					STA 0.15 0.006"	STA 0.20 0.008"	STA 0.30 0.012"	STA 0.50 0.020"
mm inch	mm inch	mm inch	max.	Art.-No.	Art.-No.	Art.-No.	Art.-No.	
20 51/64	6 15/64	3 1/8	20,000	10	411.132	411.142		
30 1 3/16	6 15/64	6 15/64	20,000	10	413.132	413.142	413.162	
30 1 3/16	9 23/64	6 15/64	20,000	10	413.133	413.143	413.163	
40 1 3/8	9 23/64	9 23/64	18,000	10	414.132	414.142	414.162	414.192
40 1 3/8	12 15/32	9 23/64	18,000	10	414.133	414.143	414.163	414.193
50 2	11 7/16	12 15/32	15,000	10	415.132	415.142	415.162	415.192
50 2	15 19/32	12 15/32	15,000	10	415.133	415.143	415.163	415.193
60 2 3/8	13 33/64	17 43/64	15,000	10	416.132	416.142	416.162	available on demand
60 2 3/8	18 45/64	17 43/64	15,000	10	416.133	416.143	416.163	416.193
70 2 3/4	9 23/64	19 3/4	15,000	10	417.132	417.142	417.162	
70 2 3/4	13 33/64	19 3/4	15,000	10	417.133	417.143	417.163	417.193
80 3 1/4	9 23/64	20 51/64	15,000	10	available on demand	418.142		
80 3 1/4	13 33/64	20 51/64	15,000	10	available on demand	418.143	418.162	418.192
80 3 1/4	19 3/4	20 51/64	15,000	10			418.163*	
100 4	14 9/16	25 1	12,000	10		412.143*	412.163*	
100 4	19 3/4	25 1	12,000	10		412.144*	412.164*	

* Shank length for these articles is 20 mm instead of 30 mm.



Item Nos. in bold are available ex stock. Consider our minimum order value for italic printed article numbers (see page 178).

STA = steel wire, crimped
 ROF = stainless steel wire, crimped
 RO4 = stainless steel wire, straight, 1.4401