

FBN120B

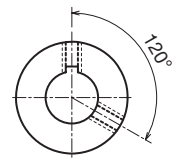
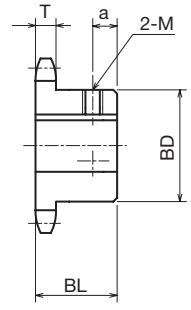
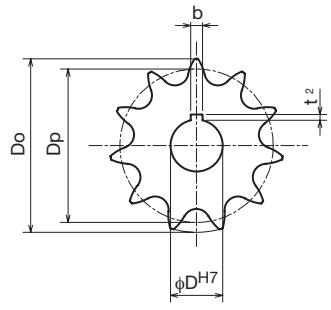
FBN Finished Bore Sprocket New JIS Keyway Specification

Order No. Example



FBN120B 13 D45

Type No. of Teeth ϕ D H7

Sprocket No.



- Chain No.120
- Chain Pitch (P)38.10mm
- Roller Link Inner Width (W)25.40mm
- Roller Outside Diameter (Dr)22.23mm
- Tooth Width (T)23.5 mm

-  Carbon Structural Steel
-  High-frequency Hardened Teeth

Type	No. of Teeth	Outer Diameter Do	Pitch Diameter Dp	Boss Diameter BD	Boss Length BL	a	Weight kg	ϕ D ^{H7}	¥	ϕ D ^{H7}	¥	No. of Teeth
FBN 120B	13	177	159.20	98	56	16	5.30	45 48 50		55 60		13
	14	190	171.22	107	56	16	6.30	45 48 50		55 60		14
	15	202	183.25	117	63	16	7.80	45 48 50		55 60		15
	16	214	195.29	117	63	16	8.40	50		60		16
	18	239	219.41	117	63	16	9.90	50		60		18
	19	251	231.48	117	63	16	10.70	60				19
	20	263	243.55	127	63	16	12.10	50		60		20
	21	276	255.63	127	63	16	13.00	50		60		21



Sprocket No. ϕ D^{H7} and Quantity



Same-day shipping



* Since we also manufacture sizes other than those in the catalog, and machine shaft holes/keys/taps, etc., depending on your request, please contact our company's sales office for details.

Shaft Hole Machined Specification

ϕ D ^{H7}	Keyway b x t ²	Set Screw M
28 - 30	8 x 3.3	8
32 - 38	10 x 3.3	8
40 - 42	12 x 3.3	8
45 - 50	14 x 3.8	10
55	16 x 4.3	12
60 - 65	18 x 4.4	12
70	20 x 4.9	16