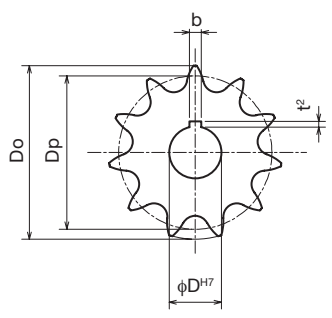
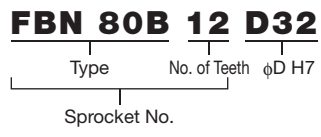


FBN80B

● Order No. Example



- Chain No.80
- Chain Pitch (P)25.4 mm
- Roller Link Inner Width (W)15.88mm
- Roller Outside Diameter (Dr)15.88mm
- Tooth Width (T)14.6 mm

| Type | No. of Teeth | Outer Diameter Do | Pitch Diameter Dp | Boss Diameter BD | Boss Length BL | a | Weight kg | ϕD^H7 | ¥ |
|----------------|--------------|-------------------|-------------------|------------------|----------------|----|-----------|-------------------------|---|
| FBN 80B | 9 | 85 | 74.27 | ★58 | 40 | 7 | 0.87 | 25 28 30 32 35 | |
| | 10 | 93 | 82.19 | 52 | 40 | 12 | 1.02 | 25 28 30 32 | |
| | 11 | 102 | 90.16 | 60 | 40 | 12 | 1.25 | 25 28 30 32 35 38 | |
| | 12 | 110 | 98.14 | 67 | 40 | 12 | 1.60 | 25 28 30 32 | |
| | 13 | 118 | 106.14 | 77 | 40 | 12 | 1.90 | 25 28 30 | |
| | 14 | 127 | 114.15 | 77 | 40 | 12 | 2.15 | 25 28 30 | |
| | 15 | 135 | 122.17 | 93 | 40 | 12 | 2.30 | 25 28 30 32 35 38 | |
| | 16 | 143 | 130.20 | 93 | 40 | 12 | 2.50 | 24 25 28 30 32 35 38 40 | |
| | 17 | 151 | 138.23 | 93 | 40 | 12 | 2.95 | 25 28 30 32 35 38 40 | |
| | 18 | 159 | 146.27 | 93 | 40 | 12 | 3.15 | 25 28 30 32 35 38 40 42 | |
| | 19 | 167 | 154.32 | 93 | 40 | 12 | 3.40 | 25 28 30 32 35 38 40 | |
| | 20 | 176 | 162.37 | 93 | 40 | 12 | 3.60 | 25 28 30 32 35 38 40 42 | |
| | 21 | 184 | 170.42 | 93 | 40 | 12 | 3.85 | 25 28 30 32 35 38 40 42 | |
| | 22 | 192 | 178.48 | 107 | 45 | 12 | 5.00 | 35 40 | |
| | 23 | 200 | 186.54 | 107 | 45 | 12 | 5.23 | 35 40 | |
| | 24 | 208 | 194.6 | 107 | 45 | 12 | 5.50 | 35 40 | |
| | 25 | 216 | 202.66 | 107 | 45 | 12 | 5.80 | 35 40 | |
| | 26 | 224 | 210.72 | 107 | 45 | 12 | 6.10 | 35 40 | |
| | 28 | 241 | 226.86 | 107 | 45 | 12 | 6.75 | 35 40 | |
| | 30 | 257 | 243 | 107 | 45 | 12 | 7.40 | 35 40 | |