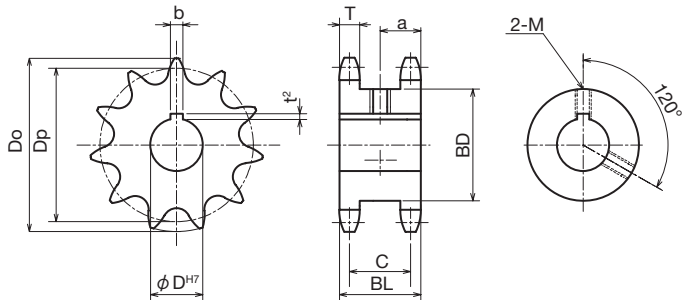
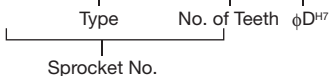


# FBN60SD

## FBN SD Finished Bore Sprocket Single-Double New JIS Keyway Specification

### Order No. Example

**FBN 60SD 18 D30**



- Chain ..... No.60
- Chain Pitch ..... (P)19.05mm
- Roller Link Inner Width ..... (W)12.70mm
- Roller Outside Diameter ..... (Dr)11.91mm
- Tooth Width ..... (T)11.7 mm (C)38.3mm

- m Carbon Structural Steel
- h High-frequency Hardened Teeth

Type	No. of Teeth	$\phi D^{H7}$	Outer Diameter Do	Pitch Diameter Dp	Boss Diameter BD	Boss Length BL	a	Weight kg	No. of Teeth	¥
FBN 60SD	12	20 25 30	83	73.6	51	50	25	1.14	12	
	13	25 30 32 35	89	79.6	57	50	25	1.39	13	
	14	30 35 40	95	85.61	64	50	25	1.63	14	
	15	30 35 40	101	91.62	70	50	25	1.96	15	
	16	30 35 40 45	107	97.65	76	50	25	2.20	16	
	17	30 35 40 45	113	103.67	82	50	25	2.56	17	
	18	30 35 40 45	119	109.71	88	50	25	2.90	18	
	19	40 45 50	126	115.74	94	50	25	3.26	19	
	20	40 45 50	132	121.78	100	50	25	3.70	20	
	21	40 45 50	138	127.82	107	50	25	4.13	21	

### Shaft Hole Machined Specification

$\phi D^{H7}$	Keyway b x t <sup>2</sup>	Set Screw M
20 - 22	6 x 2.8	6
24 - 30	8 x 3.3	8
32 - 38	10 x 3.3	8
40 - 42	12 x 3.3	8
45 - 50	14 x 3.8	10



Sprocket No.  and Quantity



Postage

Same-day shipping



Guide

\* Since we also manufacture sizes other than those in the catalog, and machine shaft holes/keys/taps, etc., depending on your request, please contact our company's sales office for details.