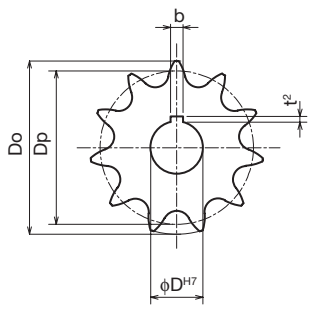
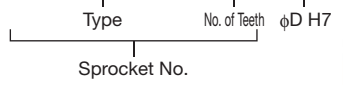


FBN50SD

● Order No. Example

FBN 50SD 18 D25



- Chain No.50
- Chain Pitch (P)15.875mm
- Roller Link Inner Width (W) 9.53 mm
- Roller Outside Diameter (Dr)10.16 mm
- Tooth Width (T) 8.7 mm (C)31.3mm

Type	No. of Teeth	ϕD^{H7}	Outer Diameter Do	Pitch Diameter Dp
FBN 50SD	12	18 20	69	61.34
	13	20 25 28	74	66.34
	14	20 25 28 30	79	71.34
	15	20 25 28 30 35	84	76.35
	16	25 28 30 35 40	89	81.37
	17	25 28 30 35 40	94	86.39
	18	25 28 30 35 40	100	91.42
	19	25 28 30 35 40	105	96.45
	20	25 28 30 35 40	110	101.48
	21	28 30 35 40	115	106.51