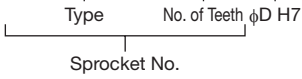


FBN40B

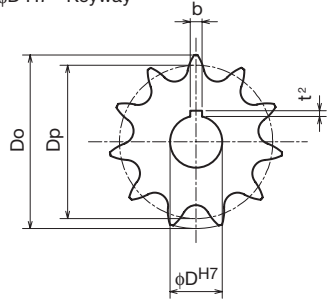
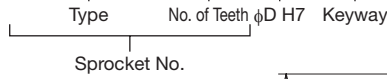
● Order No. Example

FBN 40B 18 D20



● Order No. Example

FBN 40B 12 D10 K4



- Chain No.40
- Chain Pitch (P)12.70mm
- Roller Link Inner Width (W) 7.95mm
- Roller Outside Diameter (Dr) 7.92mm
- Tooth Width (T) 7.2 mm

Type	No. of Teeth	Outer Diameter Do	Pitch Diameter Dp	Boss Diameter BD	Boss Length BL	a	Weight kg	φDH7	¥
FBN 40B	9	42	37.13	★28	22	5	0.11	10 12	
	10	46	41.10	★32	22	5	0.14	10 12 14 15	
	11	51	45.08	★36	22	5	0.19	10 12 14 15 16 17	
	12	55	49.07	★40	22	5	0.22	10 12 14 15 16 17 18 19 20	
	13	59	53.07	37	22	6	0.23	12 14 15 16 17 18 19 20	
	14	63	57.07	42	22	6	0.28	12 14 15 16 17 18 19 20	
	15	67	61.08	46	22	6	0.34	12 14 15 16 17 18 19 20	
	16	71	65.10	50	22	6	0.40	14 15 16 17 18 19 20	
	17	76	69.12	54	22	6	0.46	14 15 16 17 18 19 20	
	18	80	73.14	57	22	6	0.51	14 15 16 17 18 19 20	
	19	84	77.16	62	22	6	0.59	14 15 16 17 18 19 20	
	20	88	81.18	67	25	7	0.76	14 15 16 17 18 19 20	
	21	92	85.21	71	25	7	0.85	14 15 16 17 18 19 20 22 24 25 28 30	
	22	96	89.24	75	25	7	0.95	14 15 16 17 18 19 20 22 24 25	
	23	100	93.27	77	25	7	1.00	14 15 16 17 18 19 20 22	
	24	104	97.30	63	25	7	0.84	14 15 16 17 18 19 20 22 24 25	
	25	108	101.33	63	25	7	0.88	14 15 16 17 18 19 20 22 24 25	
	26	112	105.36	63	25	7	0.92	14 15 16 17 18 19 20 22	
	27	116	109.40	63	25	7	0.96	14 15 16 17 18 19 20 22 24 25 28 30	
	28	120	113.43	63	25	7	1.00	14 15 16 17 18 19 20 22 24 25 28 30	
	29	124	117.46	63	25	7	1.00	25	
	30	128	121.50	63	25	7	1.10	14 15 16 17 18 19 20 22 24 25 28 30	
	32	137	129.57	68	28	10	1.30	20 22 24 25 28 30	
	34	145	137.64	68	28	10	1.30	20 22 24 25	
	35	149	141.68	68	28	10	1.40	20 22 24 25 28 30	
	36	153	145.72	68	28	10	1.50	20 22 24 25 28 30	
	37	157	149.75	68	28	10	1.55	35	
	38	161	153.79	68	28	10	1.60	24 25 28 30	
	40	169	161.87	68	28	10	1.70	25 28 30 32 35	
	42	177	169.95	73	32	10	2.05		
45	189	182.06	73	32	10	2.25			
48	201	194.18	73	32	10	2.45			
50	209	202.26	73	32	10	2.60			