

FBN25B

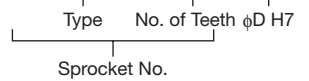


FBN Finished Bore Sprocket
FBN Finished Bore Sprocket

D10 K4x1.8 Specification
New JIS Keyway Specification

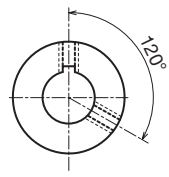
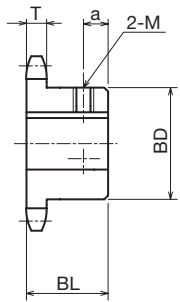
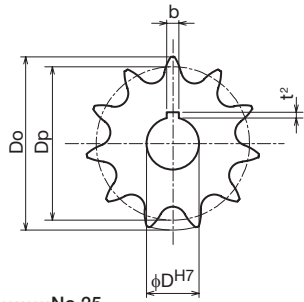
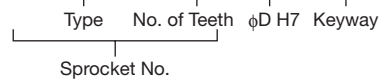
● **Order No. Example**

FBN25B 17 D10



● **Order No. Example**

FBN25B 16 D10 K4



- Chain No.25
- Chain Pitch (P)6.35mm
- Bushing Link Inner Width (W)3.18mm
- Bushing Outside Diameter (Dr)3.30mm
- Tooth Width (T)2.8 mm

m Carbon Structural Steel

Shaft Hole Machined Specification

Type	No. of Teeth	φD _{H7}		Outer Diameter D _o	Pitch Diameter D _p	Boss Diameter BD	Boss Length BL	a	Weight g	¥
FBN 25B	16	10	12	36	32.55	25	15	6	60	
	17	10	12	38	34.56	25	15	6	70	
	18	10	12	40	36.57	25	15	6	70	
	19	10	12	42	38.58	28	15	6	80	
	20	10	12	44	40.59	28	15	6	80	
	21	10	12	46	42.61	28	15	6	90	
	22	12	15	48	44.62	30	15	6	100	
	23	12	15	50	46.63	30	15	6	110	
	24	12	15	52	48.65	30	15	6	120	
	25	12	15	54	50.66	35	15	6	140	
	26	12	15	56	52.68	35	15	6	140	
	27	12	15	58	54.70	35	15	6	150	
	28	12	15	60	56.71	35	15	6	150	
	30	12	15	64	60.75	35	15	6	160	
	32	15	16	68	64.78	40	20	8	200	
	34	15	16	72	68.82	40	20	8	210	
	35	15	16	74	70.84	40	20	8	210	
	36	15	16	76	72.86	40	20	8	220	
	38	15	16	80	76.90	40	20	8	260	
	40	15	16	84	80.93	40	20	8	270	

φD _{H7}	Keyway b x t ²	Set Screw M
10	3 x 1.4	4
12	4 x 1.8	5
14 - 17	5 x 2.3	6
18 - 20	6 x 2.8	6

★ Special Shaft Hole Machined Specification

φD _{H7}	Keyway b x t ²	Set Screw M
10	4 x 1.8	4

* Only the parts can be selected for special shaft hole machining. For your order method, please refer to the information below.



Order Method: Sprocket No. φD_{H7} and Quantity
Sprocket No. D10 K4 and Quantity



* Since we also manufacture sizes other than those in the catalog, and machine shaft holes/keys/taps, etc., depending on your request, please contact our company's sales office for details.



Same-day shipping



* If you order a special shaft diameter specification, please append K4 after the hole diameter.
Example: FBN25B16D10K4