

Terminal block accessories

Line-up

Clutch Lock
Terminal BlocksPLC Interface
Terminal BlocksRail Type
Terminal BlocksAssembly
Terminal BlocksSpecial Purpose
Terminal BlocksTerminal
Block Accessories

Stud support / copper bar for branching

Stud support

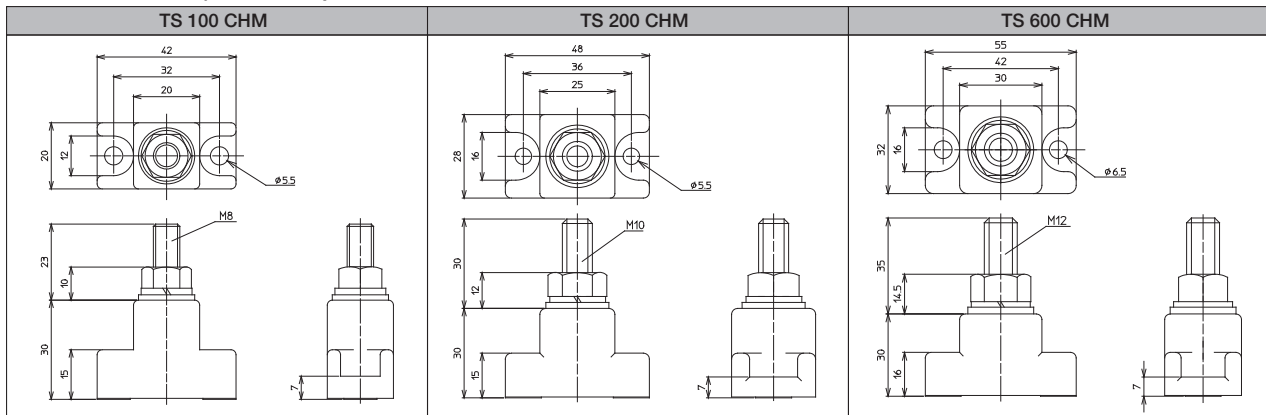


This is suitable for as support of bus bar and copper bar for branching. The stud made from galvanized steel resistant to corrosion supports firmly the bus bar and copper bar for branching. As the base part is phenolic molding compound, it is very strong. The stud has a strong fit drive mechanism, so it does not spin free. The nut and spring washer for securing are included. As it is for supporting, it cannot be conducted.

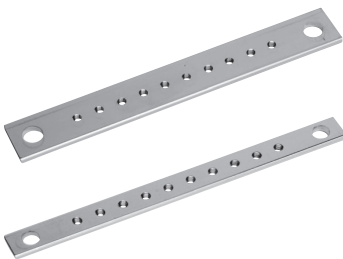
Type name	Diameter of stud	Cramping torque (N · m)	General mass (g)
TS 100 CHM	M 8	8 to 10	40
TS 200 CHM	M10	15 to 20	80
TS 600 CHM	M12	25 to 35	130

Ambient temperature	-20 to +40°C (No freezing or condensation)
Relative humidity	45 to 85%
Insulation resistance	100M Ω or more (500V Megger)
Commercially available cycle withstand voltage	2500V 1 minute

■ Dimensions (Unit: mm)



Copper bar for branching



This can divaricate small current circuit and control circuit in various branch. This can be a branching terminal block by supporting with TS series stud terminal block.

In order to improve the contact dependability, nickel is plated on copper bar.

Type name	Diameter of stud	Number of screw holes	General mass (g)	Number of contents	Diameter of screw	Cramping torque
TS 11	100A	10	90	10 pieces	M5	2.2 to 2.8 N · m
TS 12		20	180			
TS 21	200A	10	160			
TS 22		20	260			

■ Dimensions (Unit: mm)

