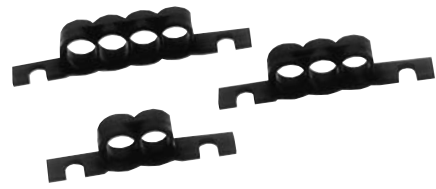
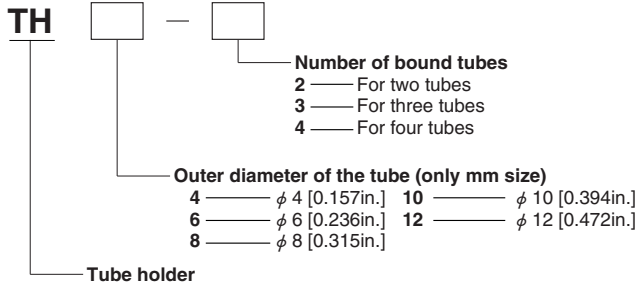


TUBE HOLDERS



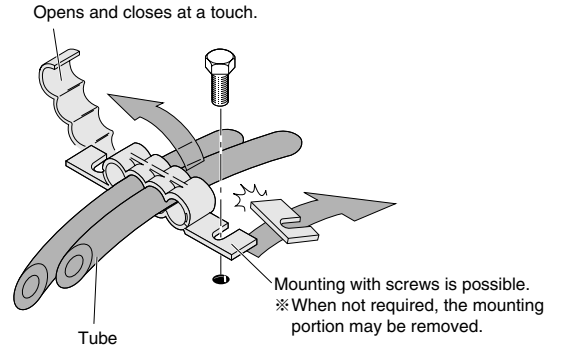
● Tube Holders enable binding of multiple tubes.

Order Codes

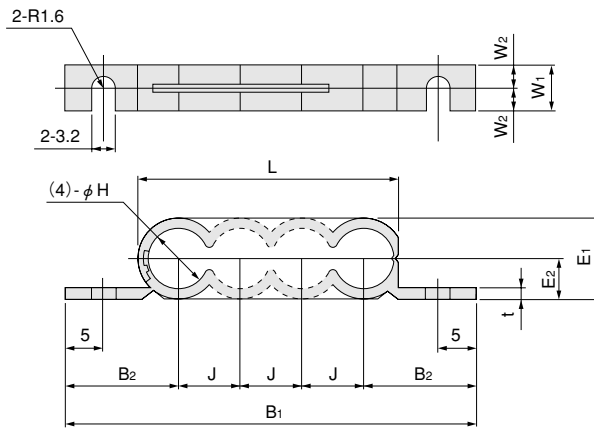


Remark: Standard products can be used as NCU specification.

Mounting Example



Dimensions (mm)



Model	Number of bound tubes	H Outer diameter of the tube	B_1	B_2	J	L	E_1	E_2	t	W_1	W_2	Mass g [oz.]
TH4-2	2	4	29.1	12.5	4.1	9.9	6.5	3.3	1.2	6	3	0.3 [0.011]
TH6-2		6	34.1	14	6.1	13.9	8.5	4.3	1.2			0.3 [0.011]
TH8-2		8	38.1	15	8.1	18.1	10.9	5.5	1.4			0.4 [0.014]
TH10-2		10	44.1	17	10.1	22.3	13.3	6.7	1.6	8	4	0.9 [0.032]
TH12-2		12	48.1	18	12.1	26.4	15.5	7.8	1.7			1.1 [0.039]
TH4-3	3	4	33.2	12.5	4.1	14	6.5	3.3	1.2	6	3	0.3 [0.011]
TH6-3		6	40.2	14	6.1	20	8.5	4.3	1.2			0.4 [0.014]
TH8-3		8	46.2	15	8.1	26.2	10.9	5.5	1.4			0.6 [0.021]
TH4-4	4	4	37.3	12.5	4.1	18.1	6.5	3.3	1.2	6	3	0.4 [0.014]
TH6-4		6	46.3	14	6.1	26.1	8.5	4.3	1.2			0.5 [0.018]
TH8-4		8	54.3	15	8.1	34.3	10.9	5.5	1.4			0.8 [0.028]
TH10-4		10	64.3	17	10.1	42.5	13.3	5.7	1.6	8	4	1.5 [0.053]
TH12-4		12	72.3	18	12.1	50.6	15.5	7.8	1.7			2 [0.07]