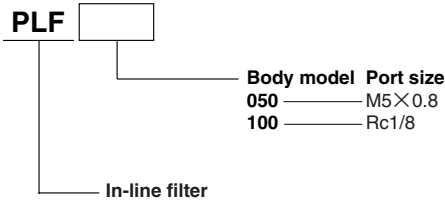


Order Codes



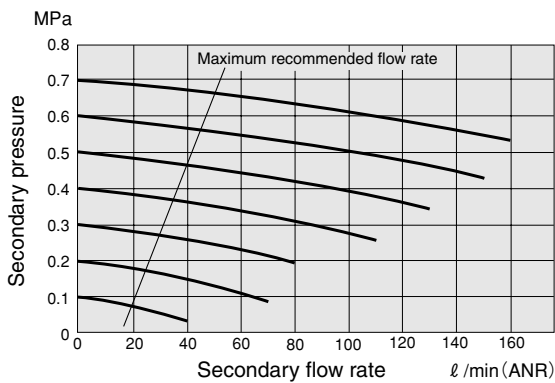
Specifications

Item	Model	PLF050	PLF100
Media		Air, N ₂	
Port size		M5×0.8	Rc1/8
Filtering particle diameter	μm	0.01	
Filtering efficiency	%	99.99	
Volume of processed air ^{Note 1}	ℓ/min [ft. ³ /min.] (ANR)	50 [1.77]	100 [3.53]
Membrane area	cm ² [in. ²]	46 [7.13]	126 [19.5]
Maximum operating pressure	MPa [psi.]	0.97 [141]	
Proof pressure	MPa [psi.]	1.47 [213]	
Proof differential pressure	MPa [psi.]	0.2 ^{Note 2} [29]	
Operating temperature range	°C [°F]	5~45 [41~113]	
Mass	g [oz.]	15 [0.53]	35 [1.23]
Major parts and materials	Body	Aluminum die-casting (electroless nickel plating)	
	Plastic housing	Nylon	
	Element	Porous hollow fiber membrane	
	O-ring	Synthetic rubber (NBR)	

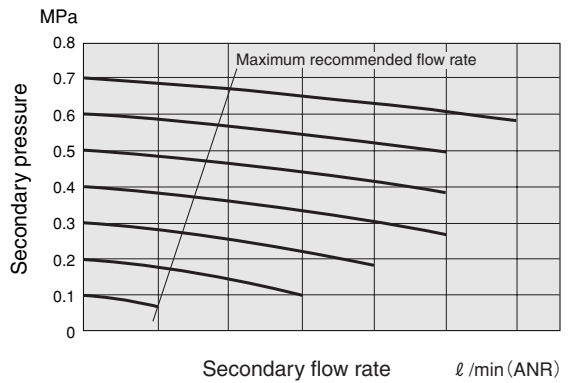
Notes: 1. This is the recommended maximum flow rate when the air pressure is 0.7MPa [102psi.]. (Pressure drop 0.03MPa [4.4psi.])
 2. This is for an occurrence of momentary differential pressure. For steady-state use, stay within the recommended maximum flow rate.

Flow Rate Characteristics

PLF050



PLF100

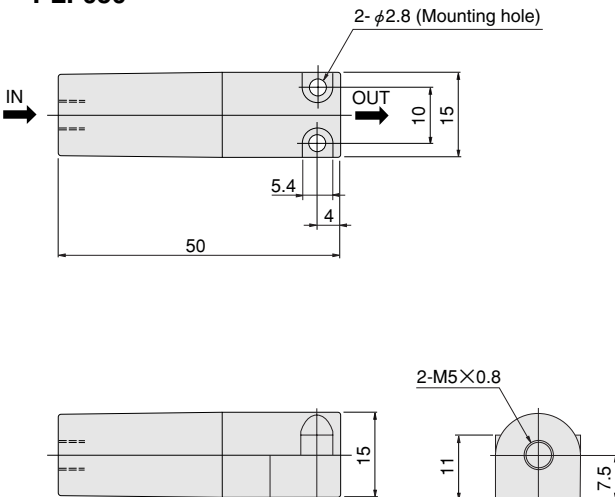


1MPa = 145psi. 1 ℓ/min = 0.0353ft.³/min.

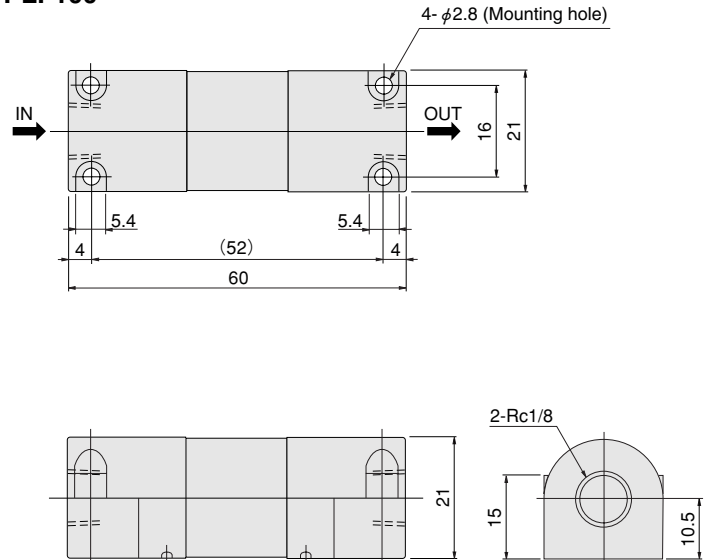
Caution: For steady-state use, stay within the recommended maximum flow rate.

Dimensions (mm)

PLF050



PLF100



● It is not necessary to use all four mounting holes to secure in place. It is recommended that the mounting holes on either the IN side or OUT side only be used.