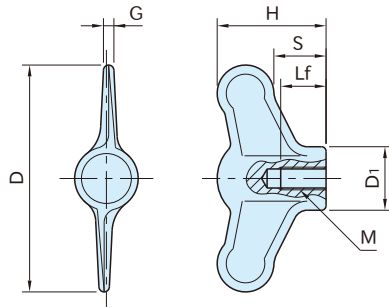


WK**STAINLESS STEEL WING KNOBS****RHS SUS****IMAO**

Body
Stainless steel (SCS13A)
Electropolished

Part Number	D	H	G	D ₁	S	M	L _f	Weight (g)
WK50 -SUS	50	24	2.3	14	11.5	M 5×0.8	10	35
WK50A-SUS						M 6×1		
WK75 -SUS	75	35	3.4	21	16.5	M 8×1.25	14	121
WK75A-SUS						M10×1.5		