

UN4, UN5

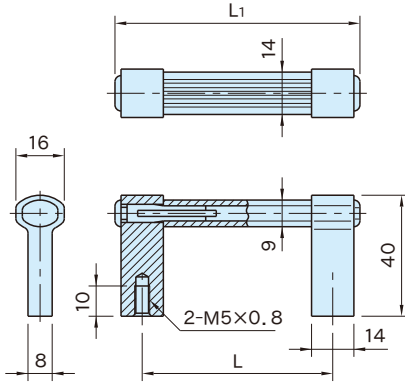
ALUMINUM EQUIPMENT HANDLES



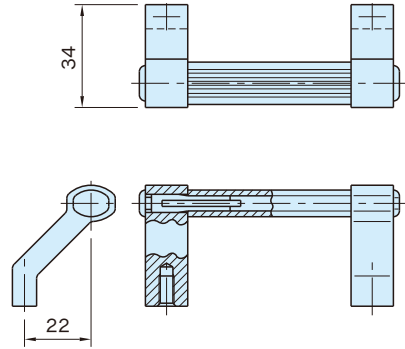
UN4
(Straight)

UN5
(Cranked)

Handle	Shank
Aluminum (A6N01S)	Aluminum (A6N01S)
Anodized finish	Anodized finish
Satin finish	Satin finish
Natural matte	Black matte



UN4
(Straight)



UN5
(Cranked)

Straight		Cranked		L	L ₁	U (*)	Panel Height E (**)	Mounting	Load Capacity (N)
Part Number	Weight(g)	Part Number	Weight(g)						
UN4- 55	40	UN5- 55	35	55	73	2	88.1	 1000	
UN4- 88	47	UN5- 88	42	88	106	3	132.5		
UN4- 100	49	UN5-100	44	100	118	4	177		
UN4- 120	53	UN5-120	48	120	138	5	221.5		
UN4- 180	65	UN5-180	60	180	198	6	266		
UN4- 200	69	UN5-200	64	200	218	7	310.5		
UN4- 235	76	UN5-235	71	235	253				
UN4- 250	79	UN5-250	74	250	268				

*) 1U=44.45mm

**) Panel height ≙ U×44.45mm-0.8mm