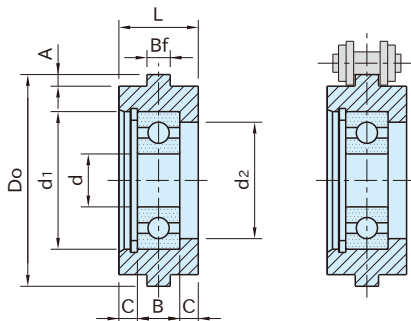


# RABJ

# CHAIN-DRIVE IDLE PULLEYS



Pulley	Bearing / Retaining Ring
Polyacetal plastic Black	Steel

Part Number	Chain No.	Do	d	B	L	Bf	d <sub>1</sub>	d <sub>2</sub>	A	C	Bearing	Weight (g)	Proper Idler Pin
RABJ35-30	35	30	6	6	12	4.4	17	13	2.2	3	606ZZ	20	PID0606
RABJ35-40		40	10	8	15		26	22		3.5	6000ZZ	40	PID1008タイプ
RABJ35-50		50	12	10	16		32	26		3	6201ZZ	70	PID1210タイプ
RABJ40-40	40	40	10	8	15	7.6	26	22	2.3	3.5	6000ZZ	40	PID1008タイプ
RABJ40-50		50	12	10	16		32	26		3	6201ZZ	70	PID1210タイプ
RABJ40-60		60	15	11	19		35	29		4	6202ZZ	100	PID1511タイプ
RABJ50-50	50	50	10	8	19	9.1	26	22	2.7	5.5	6000ZZ	65	PID1008タイプ
RABJ50-60		60	12	10			32	26		4.5	6201ZZ	100	PID1210タイプ
RABJ50-70		70	15	11			35	29		4	6202ZZ	130	PID1511タイプ
RABJ60-60	60	60	10	8	23	12.2	26	22	3.4	7.5	6000ZZ	110	PID1008タイプ
RABJ60-70		70	12	10			32	26		6.5	6201ZZ	150	PID1210タイプ

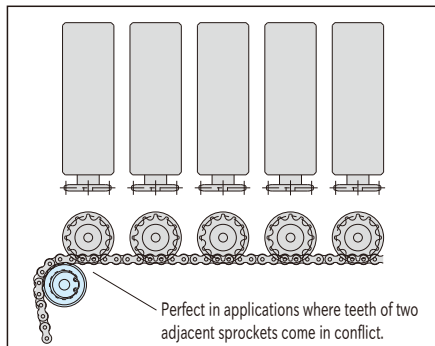
## Features

- Can be used as driven rollers in chain drive applications.
- Ball bearing is locked by a retaining ring.

## Reference

- TENSIONER ASSEMBLY EXAMPLES

## How To Use



## Technical Information

Allowable Bearing Radial Loads(N)<for 3,000 hours of average service life>

Bearing	Speed (min <sup>-1</sup> )							
	100	500	1000	1500	2000	2500	3000	3500
606ZZ	680	390	310	270	250	230	210	200
6000ZZ	1370	1090	640	560	500	470	440	420
6201ZZ	2040	1190	940	830	750	700	650	620
6202ZZ	2310	1350	1080	940	850	790	740	710