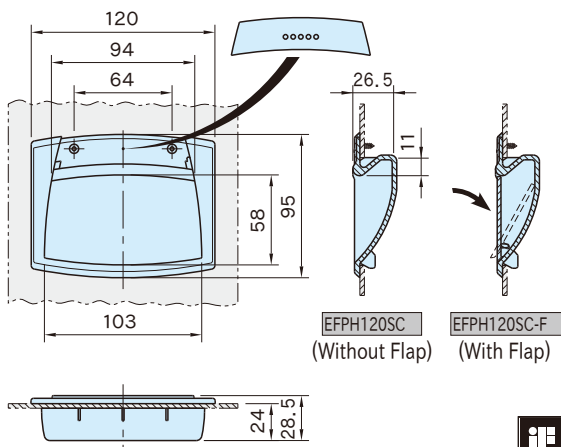




EFPH120SC
(Without Flap)



EFPH120SC-F
(With Flap)



EFPH120SC (Without Flap) **EFPH120SC-F** (With Flap)



Part Number	Handle	Cover Cap	Flap
EFPH120SC	Glass-fiber reinforced polyamide plastic Black matte	Polyamide plastic Glossy Finish	-
EFPH120SC-F		Black, orange, gray, yellow, light blue or red	Polyamide plastic Black matte

· Working temperature : Between -30°C and 100°C

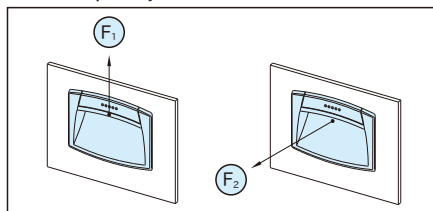
Part Number	Weight (g)
EFPH120SC	55
EFPH120SC-F	70

Strength Data

Part Number	F ₁ [N]	F ₂ [N]
EFPH120SC	1200	400
EFPH120SC-F		

- Use two self-tapping screws (nominal dia. 2.9mm, 9.5mm long) for installation
- Use in hot or highly humid circumstances can deteriorate the plastic material properties.
- Cover caps are available in 6 colors.
- A body and a cover cap are not supplied in assembly (packed separately)

Load Capacity



The stated values denote the average of loads measured in breaking tests under normal working conditions.