

CLR

COLUMN LEVEL INDICATORS



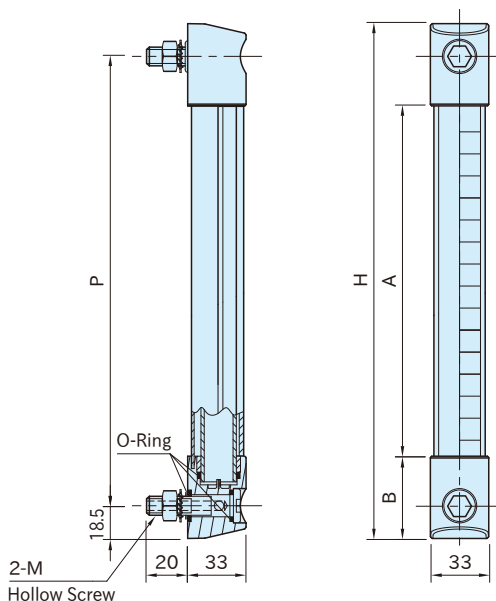
Original ELESA Model HCK-GL



CLR
(Steel)



CLR-SUS
(Stainless Steel)



Type	Tube	Front Protection	Support	Assembly Ends	Setscrew & Nut	O-Ring
CLR	Heat-resistance glass	Polycarbonate Clear	Aluminium	Polyamide (Glass-fiber reinforced) Black	Steel Zinc plated finish	Nitrile rubber (NBR)
CLR-SUS					Setscrew: SUS303 Stainless Steel Nut: SUS304 Stainless Steel	Fluoric rubber (FKM)

Steel	Stainless Steel	P	M	H	A	B	Weight (g)
Part Number	Part Number						
CLR- 76GL	CLR- 76GL-SUS	76	M10×1.5	113	42	35.5	183
CLR-127GL	CLR-127GL-SUS	127	M12×1.75	164	71	46.5	220

Features:

- Heat-resistance glass tube is covered by clear front protection made of polycarbonate plastic.
- Liquid penetrates into the indicator through the two setscrews.
- The curved clear front cover provides a lens effect that magnifies the text on the indicator plate and allows reading even from sides.
- Ultrasonically welded for perfect sealing to avoid liquid leak.
- **CLR-SUS** can be used with water or glycol-based solution(50%).