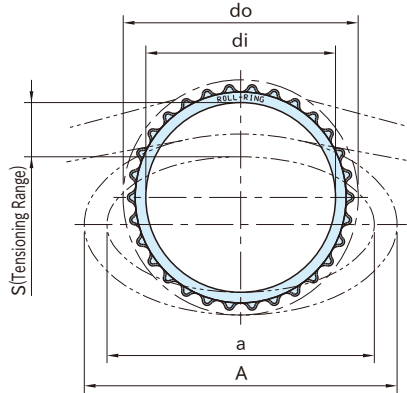


906 - 920

ROLL-RING CHAIN TENSIONERS



Body
Special elastic plastic

Part Number	Chain No.	Teeth	do	di	a	A	S *)	
							Min.	Max.
906-030-01	35	30	89.8	76.8	101	113	4	27
908-026-01	40	26	105.5	87.5	102	135.8	4.5	27
908-030-01		30	121.5	101.6	117	161.6	5	30
908-034-01		34	137.5	115.4	138.8	165	6	30
908-430-01		30	121.5	98	117	161.6	5	28
910-026-01	50	26	128.4	105	130	153	5.5	
910-030-01		30	148	124.6	153	177	6.5	33
910-034-01		34	170	141	166	217	7.5	38
912-026-01	60	26	155	127.6	150	209.5	6.5	35
912-030-01		30	182.2	153.1	173	242	7.5	45
912-034-01		34	207.5	169.5	206	265	8.5	45
916-026-01		80	26	207	167	200	269	9
916-030-01	30		242	200	231	315	10.5	50
920-030-01			303.7	256.4	280	390	12.5	65

Part Number	Max. Static Expansive Force (N)	Allowable Chain Speed (m/s)	Weight (g)
906-030-01	5.7	5.2	7
908-026-01	13.4	7.5	12
908-030-01	14.2	8.6	19
908-034-01	22	8.8	26
908-430-01	16.8	7.5	19
910-026-01	28.2	4.2	24
910-030-01	23	8.8	30
910-034-01	45.1		55
912-026-01	39.2	5.4	46
912-030-01	32.2	6.2	65
912-034-01	70.5	6.4	93
916-026-01	95.7	5.7	116
916-030-01	103	6.6	150
920-030-01	80.5	7	340

Technical Information

Working temperature :
-20 to 70°C

*) Ensure that tensioning is done in the stated range.