

CQEE 40 poles + ⊕ 16A - 500V

enclosures: size "77.27"	page:
C-TYPE IP65 or IP66/IP69	402 - 411
C7 IP67, two levers	439 - 440
V-TYPE IP65 or IP66/IP69, single lever	454 - 458
BIG hoods	470 - 471
T-TYPE IP65 insulating	484 - 485
T-TYPE / W IP66/IP69 insulating	491
HYGIENIC T-TYPE / H IP66/IP69	503
HYGIENIC T-TYPE / C IP66/IP69, -50 °C	508
W-TYPE for aggressive environments	523
E-Xtreme® corrosion proof	534 - 535, 544, 554 - 555
EMC	580
Central lever	609 - 611
LS-TYPE	622 - 623
IP68	640 - 643
panel supports: COB	page: 652 - 653

inserts, crimp connections



16A crimp contacts
standard or for advanced opening
silver and gold plated



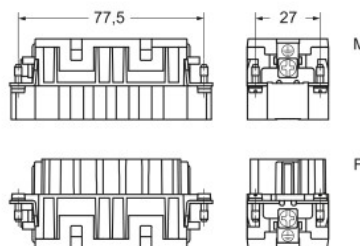
STANDARD



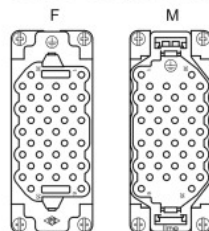
ADVANCED OPENING

description	part No.	part No.	part No.
without contacts (to be ordered separately)			
female inserts for female contacts	CQEEF 40		
male inserts for male contacts	CQEEM 40		
16A female contacts			
0,14-0,37 mm ² AWG 26-22 one groove		CCFA 0.3	CCFD 0.3
0,5 mm ² AWG 20 with no grooves		CCFA 0.5	CCFD 0.5
0,75 mm ² AWG 18 one groove (back side)		CCFA 0.7	CCFD 0.7
1 mm ² AWG 18 one groove		CCFA 1.0	CCFD 1.0
1,5 mm ² AWG 16 two grooves		CCFA 1.5	CCFD 1.5
2,5 mm ² AWG 14 three grooves		CCFA 2.5	CCFD 2.5
3 mm ² AWG 12 one wide groove		CCFA 3.0	CCFD 3.0
4 mm ² AWG 12 with no grooves		CCFA 4.0	CCFD 4.0
16A male contacts			
0,14-0,37 mm ² AWG 26-22 one groove		CCMA 0.3	CCMD 0.3
0,5 mm ² AWG 20 with no grooves		CCMA 0.5	CCMD 0.5
0,75 mm ² AWG 18 one groove (back side)		CCMA 0.7	CCMD 0.7
1 mm ² AWG 18 one groove		CCMA 1.0	CCMD 1.0
1,5 mm ² AWG 16 two grooves		CCMA 1.5	CCMD 1.5
2,5 mm ² AWG 14 three grooves		CCMA 2.5	CCMD 2.5
3 mm ² AWG 12 one wide groove		CCMA 3.0	CCMD 3.0
4 mm ² AWG 12 with no grooves		CCMA 4.0	CCMD 4.0
16A male crimp contacts for advanced opening			
0,5 mm ² AWG 20 with no grooves		CC 0.5 AN	* for basic or high thickness gold plating, please refer to page 675
0,75 mm ² AWG 18 one groove (back side)		CC 0.7 AN	
1 mm ² AWG 18 one groove		CC 1.0 AN	
1,5 mm ² AWG 16 two grooves		CC 1.5 AN	
2,5 mm ² AWG 14 three grooves		CC 2.5 AN	

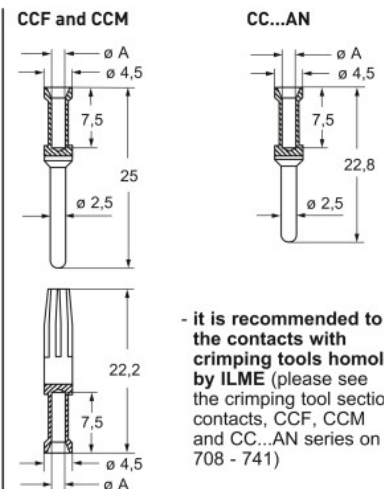
- characteristics according to EN 61984:
16A 500V 6kV 3
- certified
- rated voltage according to UL/CSA: 600V
- insulation resistance: ≥ 10 GΩ
- ambient temperature limit: -40 °C ... +125 °C
- made of self-extinguishing thermoplastic resin UL 94V-0
- mechanical life: ≥ 500 cycles
- contact resistance: ≤ 1 mΩ
- for max. current load see the connector inserts derating diagram below; for more information see page 28



contacts side (front view)



CR CPQ coding pins (page 689)



- it is recommended to crimp the contacts with crimping tools homologated by ILME (please see the crimping tool section 16A contacts, CCF, CCM and CC...AN series on pages 708 - 741)

CCF, CCM and CC...AN contacts		
conductor section mm ²	conductor slot ø A (mm)	conductors stripping length (mm)
0,14-0,37	0,9	7,5
0,5	1,1	7,5
0,75	1,3	7,5
1,0	1,45	7,5
1,5	1,8	7,5
2,5	2,2	7,5
3	2,55	7,5
4	2,85	7,5

CQEE 40 poles connector inserts
Maximum current load derating diagram

