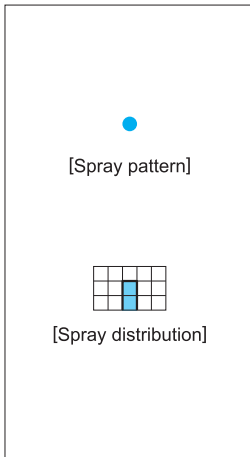
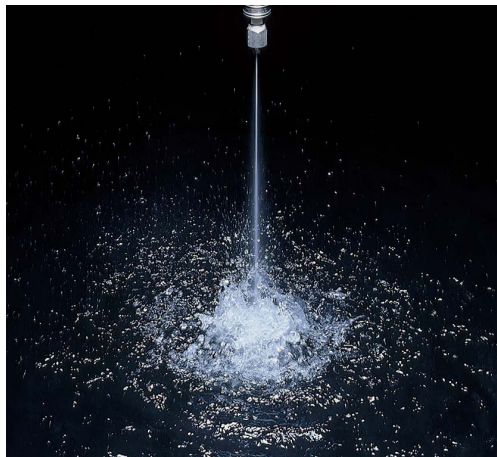


Standard Solid Stream Jet

CCP / CP

Solid Stream



[Features]

- Our highest impact solid stream. Interior design featuring minimal pressure drop generates much larger flow of solid stream jet as compared with other solid stream nozzles having the same orifice diameters.

[Standard Pressure]

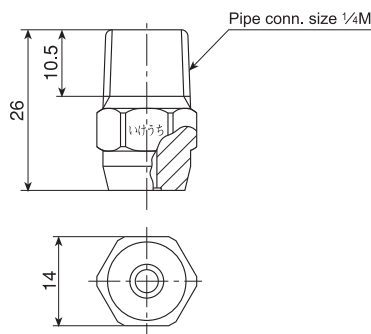
3 MPa

[Applications]

- High pressure cleaning:
Wire and felt parts of paper making machines, vehicles, returnable containers, machinery, parts
- Trimming: Paper making, asbestos plate

CCP series

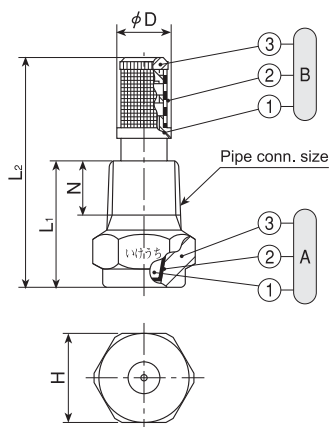
CCP series	
Structure	● Made of metal, one-piece structure.
Material	<ul style="list-style-type: none"> ● S303 [Note] Use CCP series nozzles below the pressure of 3.5 MPa. ● Optional material: S316, B (brass)
Mass	● S303: 20 g



[Note] Appearance and dimensions may differ slightly depending on materials and nozzle codes.

CP series

CP series (with ceramic orifice inserted)	
Structure	● One-piece structure with ceramic orifice inserted.
Material	<ul style="list-style-type: none"> ● Spray orifice: ceramic ● Metal parts: S303 or B (brass) ● Optional material: S316



Pipe conn. size	Dimensions (mm)					Mass (g)	
	L ₁	L ₂	H	φD	N	S303	B
1/8M	16.5	30	12	7.5	7	7.1	7.8
1/4M	26	—	14	—	10.5	19.5	21
3/8M	30	—	19	—	11	38	40

(When with a strainer, add 2-5 g to the above mass.)

- A Nozzle** (① Ceramic orifice ② Adhesive: Araldite® ③ Body)
B Strainer (① Strainer holder ② Strainer screen ③ Strainer cap)

[Note] Appearance and dimensions may differ slightly depending on materials and nozzle codes.