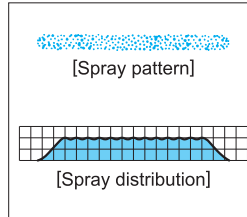


Even Flat Spray Nozzles

VE / VEP

Flat Spray



[Features]

- Flat spray pattern with uniform distribution throughout pattern area.
- Even spray impact across the entire spray area.

[Standard Pressure]

0,3 MPa

[Applications]

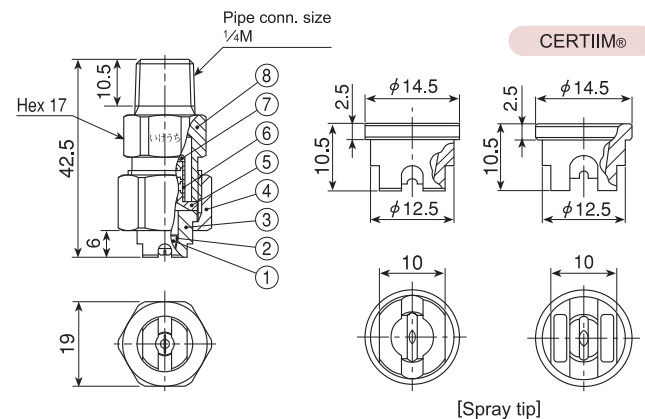
- Cleaning: Automotives, containers, films, felts, filters, screens, bottles, crushed stones, earth and sand, metal parts, machines, steel plates, steel pieces, wires
- Spraying: Etchants, oils, lubricants, liquids, solutions, insecticides, herbicides
- Cooling: Gas, smokes, heat exchangers, tanks, steels, roofs
- Water screen: Fire protection, heat protection, dust suppression, deodorization

VE series

VE series (three-piece structure)	
Structure	<ul style="list-style-type: none"> ● Three-piece structure with ceramic orifice inserted. ● Comprises three parts: Spray tip, cap, and adaptor. Worn-out spray tip can be replaced separately. ● Removable strainer is fitted and supplied as standard part with small capacity nozzle. ● CERTIIM® is one-shot injection molded spray tip created by molding the precision-made ceramic orifice into a plastic retainer.
Material	<ul style="list-style-type: none"> ● Spray orifice: ceramic ● Tip retainer: S303 or B (brass) or PVDF (polyvinylidene fluoride) ● Cap, Adaptor and Strainer: S303 or B (brass) ● Optional material: S316 or others
Mass	<ul style="list-style-type: none"> ● Complete nozzle S303: 49 g B (brass): 53 g ● Spray tip S303: 6.5 g B (brass): 7 g CERTIIM®: 2 g

(When with a strainer, add 2–5 g to the mass for a complete nozzle and 2 mm to the total length.)

[Note] Appearance and dimensions may differ slightly depending on materials and nozzle codes.



- ① Ceramic orifice ② Adhesive: Araldite® ③ Tip retainer
④ Cap ⑤ Strainer holder ⑥ Strainer screen (S316)
⑦ Strainer cap ⑧ Adaptor

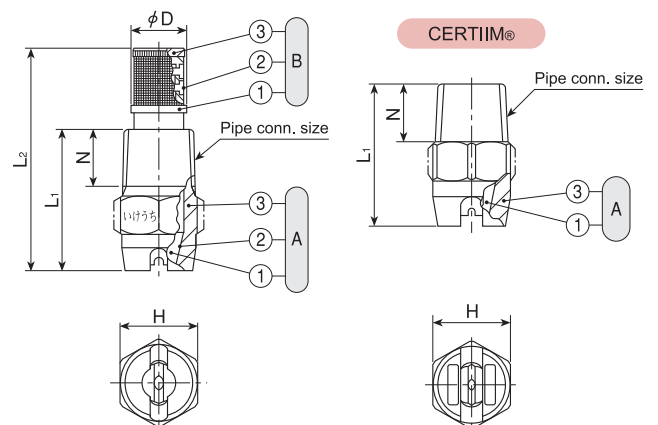
VEP series

VEP series (one-piece structure)	
Structure	<ul style="list-style-type: none"> ● Ceramic orifice inserted and adhered into metal or plastic body. ● CERTIIM® is a plastic spray nozzle with a one-shot injection molded ceramic orifice.
Material	<ul style="list-style-type: none"> ● Spray orifice: ceramic ● Metal parts: S303 or B (brass) ● CERTIIM®'s plastic body: PVDF (polyvinylidene fluoride) ● Optional material: S316 or others

Pipe conn. size	Dimensions (mm)					Mass (g)		
	L ₁	L ₂	H	φD	N	S303	B	CERTIIM®
1/8M	16.5	30	12	7.5	6.5	8	9	—
1/4M	26	40	14	10	10.5	20	22	—
3/8M	30	—	19	—	11	33	35	—
1/2M	38	—	23	—	14	57	62	—
CERTIIM® 1/8M	22	—	12	—	8.5	—	—	2.1
CERTIIM® 1/4M	26	—	14	—	10.5	—	—	6

(When with a strainer, add 2–5 g to the above mass.)

[Note] Appearance and dimensions may differ slightly depending on materials and nozzle codes.



- Ⓐ Nozzle (① Ceramic orifice ② Adhesive: Araldite® ③ Body)
Ⓑ Strainer (① Strainer holder ② Strainer screen [S316] ③ Strainer cap)