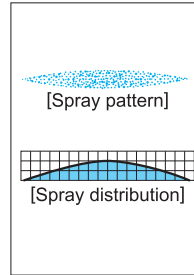


One-piece Structure Standard Flat Spray Nozzles

VVP / VP

Flat Spray



[Features]

- Flat spray pattern with a mountain-shaped spray distribution having gradually tapered edges.
- Tapered edges overlap to provide uniformity of spray distribution in multiple-nozzle arrangements.

[Standard Pressure]

0.3 MPa

[Applications]

Cleaning: Automotives, containers, films, felts, filters, screens, bottles, crushed stones, earth and sand, metal parts, machines, steel plates and pieces

Spraying: Etchants, oils, lubricants, liquids, solutions, insecticides, herbicides

Cooling: Gas, smokes, heat exchangers, tanks, steels, roofs

Water screen: Fire protection, heat protection, dust suppression, deodorization

VVP series

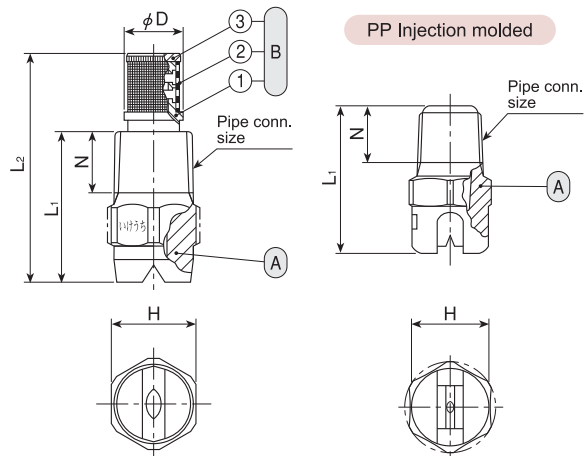
VVP series	
Structure	<ul style="list-style-type: none"> ● Made of metal or plastic. ● Simple one-piece structure to be screwed into pipe. ● Removable strainer (metal nozzle only) is fitted and supplied as standard part with small capacity nozzle.
Material	<ul style="list-style-type: none"> ● S303 or B (brass), PP (injection-molded polypropylene) ● S316L equivalent (precision-molded stainless steel)*2 ● Strainer for precision-molded stainless steel: S303 or S316 ● Optional material: S316, PVC, PVDF, Ultrahigh molecular weight polyethylene or others

Series	Pipe conn. size	Dimensions (mm)					Mass (g)*1			
		L ₁	L ₂	H	φD	N	S303	B	S316L equiv.	PP
VVP	1/8M	18.5	31	12	7.5	6.5	10	11	—	—
	1/4M	26	40	14	10	10.5	21	23	—	—
	3/8M	30	—	19	—	10.5	37	40	—	—
	1/2M	38	—	23	—	14	65	70	—	—
	3/4M	45	—	29	—	15	110	120	—	—
1M	55	—	35	—	18	170	180	—	—	
VVP (Precision-molded stainless steel)*2	1/8M	20	33.5	12	7.5	7	—	—	9.6	—
	1/4M	27	41	14	10	10.5	—	—	16	—
VVP-PP (Injection molded)	1/8M	22	—	12	—	8.5	—	—	—	1.1
	1/4M	27	—	14	—	11.5	—	—	—	2.2

*1) When with a strainer, add 2–5 g to the above mass.

*2) Please refer to the chart on page 18 for availability.

[Note] Appearance and dimensions may differ slightly depending on materials and nozzle codes.



① Nozzle
② Strainer (① Strainer holder ② Strainer screen [S316] ③ Strainer cap)

Precision-molded stainless steel

