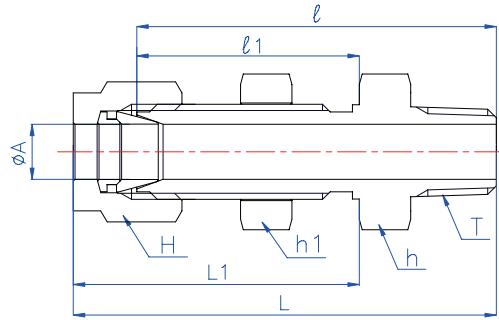
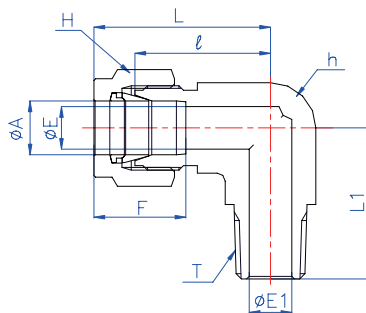


BI-LoK**DSCZ****Bulkhead Male Connector / Bored-through**
Connects fractional tube to female NPT thread

H : See dimensional data(Last page)

Part No.	A (Tube O. D)		T	h (HEX)		h ₁ (HEX)		l	l_1	L	L ₁	Panel	
	in	mm		NPT	in	mm	in					mm	Hole
DSCZ 4-2	1/4	6.35	1/8	5/8	15.88	5/8	15.88	42.2	26.0	49.5	33.5	11.5	10.2
DSCZ 4-4	1/4	6.35	1/4	5/8	15.88	5/8	15.88	46.0	26.0	53.5	33.5	11.5	10.2
DSCZ 4-6	1/4	6.35	3/8	11/16	17.46	5/8	15.88	46.7	26.0	54.2	33.5	11.5	10.2
DSCZ 4-8	1/4	6.35	1/2	7/8	22.23	5/8	15.88	52.3	26.0	59.8	33.5	11.5	10.2
DSCZ 6-6	3/8	9.53	3/8	3/4	19.05	3/4	19.05	50.0	29.5	57.5	37.0	14.7	11.2
DSCZ 6-8	3/8	9.53	1/2	7/8	22.23	3/4	19.05	58.5	29.5	66.0	37.0	14.7	11.2
DSCZ 8-8	1/2	12.7	1/2	15/16	23.81	15/16	23.81	58.0	32.0	68.3	42.3	19.4	12.7
DSCZ 8-12	1/2	12.7	3/4	1-1/16	26.99	15/16	23.81	59.1	32.0	69.4	42.3	19.4	12.7
DSCZ 12-12	3/4	19.05	3/4	1-3/16	30.16	1-3/16	30.16	65.8	37.3	76.1	47.6	25.8	16.8
DSCZ 16-16	1	25.4	1	1-5/8	41.28	1-5/8	41.28	81.1	45.2	93.7	57.8	33.7	19.1

BI-LoK**DLN****Male Elbow**
Connects fractional tube to female tapered pipe thread

H : See dimensional data(Last page)