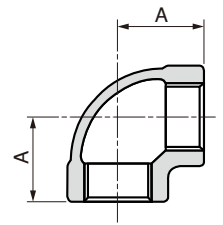


3. Available Items and Sizes, Extra Heavy Class 300.

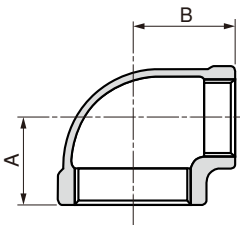
Unit: mm

Elbows, banded, equal (HBL)
Fig. 650



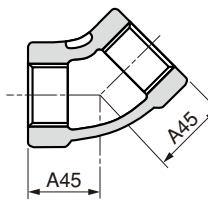
Nominal Size	A
* 1/2	32.0
* 3/4	36.5
* 1	41.5
* 1 1/4	49.5
* 1 1/2	54.0
* 2	63.5
2 1/2	74.7
* 3	86.0
* 4	105.0
* 5	125.0

Elbows, banded, reducing (HBRL)
Fig. 651



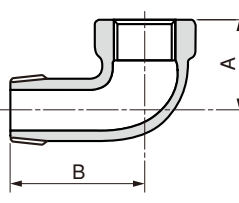
Nominal Size	A	B
3 × 2 1/2	77.5	84.0
4 × 2 1/2	82.5	100.0

Elbows, banded, 45° (HBL45)
Fig. 652



Nominal Size	A45
* 1/2	25.5
* 3/4	28.5
* 1	33.5
* 1 1/4	38.0
* 1 1/2	43.0
* 2	51.0
2 1/2	57.2
* 3	63.5
4	74.5
* 5	84.0

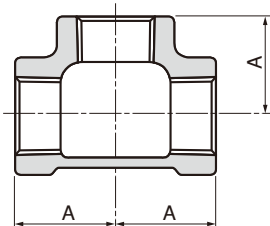
Street Elbows, banded, equal (HSL)
Fig. 653



Nominal Size	A	B
* 1/2	32.0	51.0
* 3/4	36.5	55.5
* 1	41.5	65.0
* 1 1/4	49.5	73.0
* 1 1/2	54.0	79.5
* 2	63.5	93.5
* 3	86.0	130.5

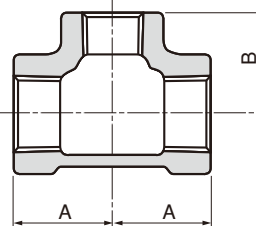
Unit: mm

Tees, banded, equal (HBT)
Fig. 654



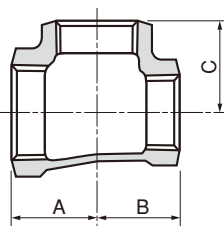
Nominal Size	A
* 1/2	32.0
* 3/4	36.5
* 1	41.5
* 1 1/4	49.5
* 1 1/2	54.0
* 2	63.5
2 1/2	74.7
* 3	86.0
* 4	105.0
* 5	125.0

Tees, banded, reducing (HBRT)
Fig. 655



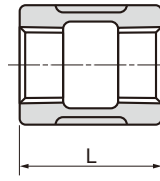
Nominal Size	A	B
* 3/4 × 1/2	33.5	35.0
* 1 × 1/2	36.5	38.0
* 1 × 3/4	38.0	39.5
* 1 1/4 × 3/4	41.4	44.5
* 1 1/4 × 1	44.5	46.0
* 1 1/2 × 3/4	42.9	47.6
* 1 1/2 × 1 1/4	51.0	52.5
* 2 × 3/4	46.0	54.1
* 2 × 1 1/2	57.0	60.5
3 × 2 1/2	77.5	84.0
* 4 × 1	61.5	93.0
* 4 × 2	76.2	95.3
4 × 2 1/2	82.5	100.0
* 4 × 3	89.0	102.0
* 5 × 2 1/2	88.5	115.0

Tees, reducing, banded (HBRT)
Fig. 655



Nominal Size	A	B	C
1 1/4 × 1 × 3/4	41.4	38.1	44.5
* 1 1/4 × 1 × 1	44.5	41.4	46.0
1 1/2 × 1 1/4 × 1	46.0	44.5	50.8
* 1 1/2 × 1 1/4 × 1 1/4	50.8	49.3	52.3
* 2 × 1 1/2 × 1	50.8	46.0	57.2
* 2 × 1 1/2 × 1 1/4	54.1	50.8	58.7
* 2 × 1 1/2 × 1 1/2	57.2	54.1	60.5
2 1/2 × 2 × 1	55.6	50.8	63.5
2 1/2 × 2 × 1 1/4	58.9	54.1	65.0
3 × 2 1/2 × 1	58.7	55.6	73.0
3 × 2 1/2 × 1 1/4	62.0	58.9	74.5
3 × 2 1/2 × 2 1/2	77.7	74.7	84.1

Couplings, banded (HBS)
Fig. 656



Nominal Size	L
* 1/2	48.0
* 3/4	54.0
* 1	60.5
* 1 1/4	73.0
* 1 1/2	73.0
* 2	92.0
2 1/2	105.0
* 3	105.0
* 4	112.0
* 5	126.0