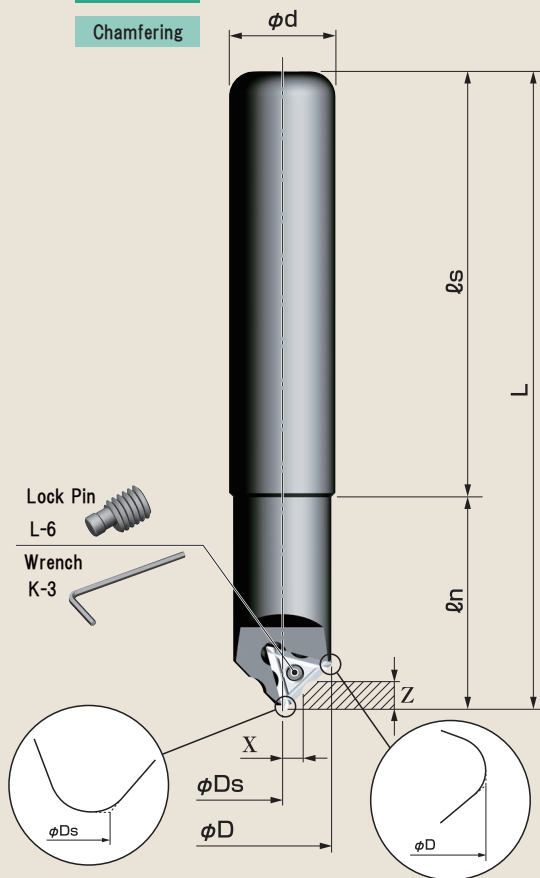


5 RCindo-Cutter

1Blade

R1~R3

Chamfering



6 R-Giga

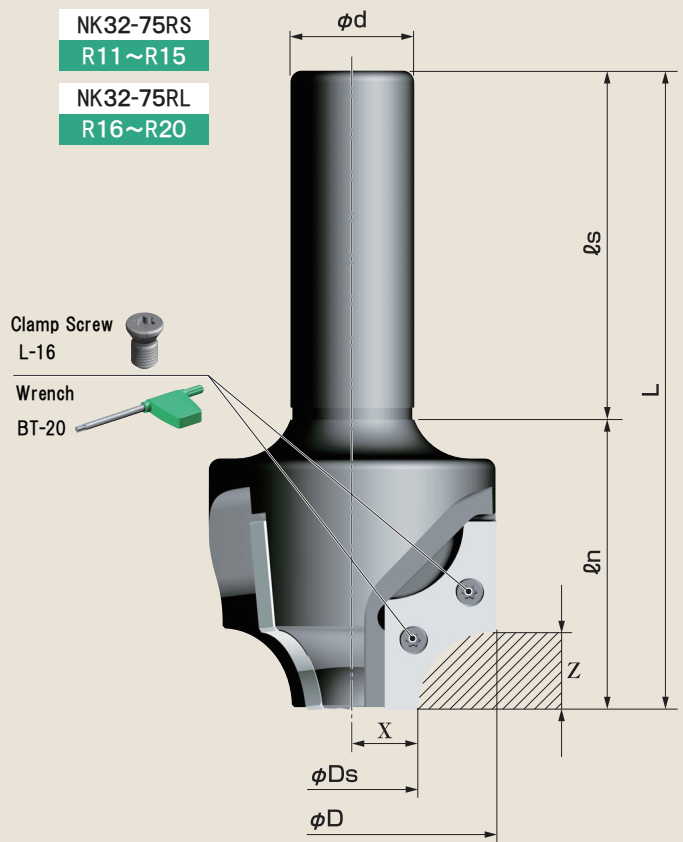
3Blade

NK32-75RS

R11~R15

NK32-75RL

R16~R20

This is not standard production model.
Please check the delivery time when orderingClamp Screw
L-16Wrench
BT-20

■ Body

Product name	Model No.	Fig.	Blades	Dimensions (mm)						Inserts
				ϕD	ϕD_s	ϕd	L	ℓs	ℓn	
R-Special Jr.	NK20-05R	①	1	25	8.4	20	120	80	40	N43GXR
	NK25-05R	①	1	25	8.4	25	120	80	40	N43GXR
R-Special	NK20-40R-3	②	3	56	39.3	20	115	85	30	N43GXR
	NK25-40R-3	②	3	56	39.3	25	115	85	30	N43GXR
	NK32-40R-3	②	3	56	39.3	32	115	85	30	N43GXR
R-Nouveau Jr.	NK20-10R	③	1	35.4	8.9	20	120	80	40	N54GCR
	NK25-10R	③	1	35.4	8.9	25	120	80	40	N54GCR
R-Nouveau	NK25-70R	④	3	69.2	42.3	25	130	90	40	N54GCR
	NK32-70R	④	3	69.2	42.3	32	130	90	40	N54GCR
	NK32-70RL	④	3	69.2	42.3	32	200	150	50	N54GCR
RCindo-Cutter	CR25-05T	⑤	1	25	3.8	25	150	100	50	T32GSR / T32MOR / TT32GUR
R-Giga	NK32-75RS	⑥	3	75.5	35	32	165	90	75	XNEW3004-11R~15R
	NK32-75RL	⑥	.3	75.5	35	32	165	90	75	XNEW3004 16R~20R

※ Inset is not supplied as standard accessory. Please order separately.

※ Clamp screw, lock pin and wrench are supplied as standard accessory.



When mounting insert, please do not take reverse tightening.

Due to the eccentricity looking mechanism, poor accuracy or breakage of insert may be occurred

When replacing insert, please confirm whether you have been taking reserve tightening or not.

Cutting conditions to P.37
Insert details to P.38