

R-type

Press-molded products

RoHS


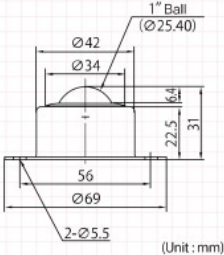
CAD

3D

Dust-proof type press-molded products adapting our proprietary technology. The resin cover on those products can reduce the intrusion of scraps and dust.

C-8R (with nylon seal)

▲ Upward Steel Dust-proof

(Unit : mm)

Allowable load	294N(30kgf)	Small ball	SWRM
Max. load	588N(60kgf)	Body (cover)	SPC
Weight	154g	Ball seat	SUS304
Main ball	SWRM	Seal material	Nylon

B-type

Press-molded products

RoHS


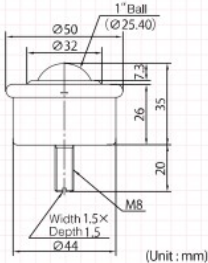
CAD

3D

Bolt type press-molded products adapting our proprietary technology. The only bolt-mounting type among the press-molded products (refer to P1).

C-8B

▲ Upward Steel


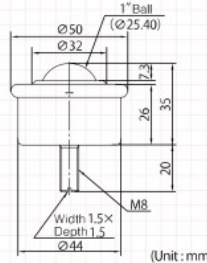



(Unit : mm)

Allowable load	294N(30kgf)	Small ball	SWRM
Max. load	588N(60kgf)	Body (cover)	SPC
Weight	166g	Ball seat	SPC
Main ball	SWRM	Outer cover	SPC

P-8B

▲ Upward Resin

(Unit : mm)

Allowable load	49N(5kgf)	Body (cover)	SPC
Weight	108g	Ball seat	SPC
Main ball	Nylon	Outer cover	SPC
Small ball	SUS304		

※Product specifications are subject to change without prior notice. Please contact us for details. ※For materials not contained herein, please contact us.
 ※The main ball of the stainless steel products contained herein is made of SUS440C. Please consult us for rust prevention purposes.
 ※The weight of single conveyance object shall not exceed 1,000 kg. It may change depending on conditions. Please consult us for details.