

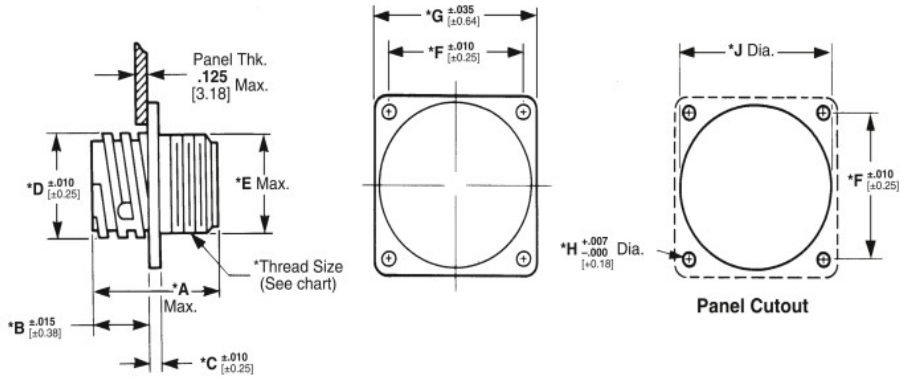
**Note:** All part numbers  
are RoHS Compliant.

## Circular Plastic Connectors, Series 2

### CPC Connectors, Series 2 for Cable or Panel Mount (Accepts Size 20 DM or DF Crimp, Snap-In Contacts)



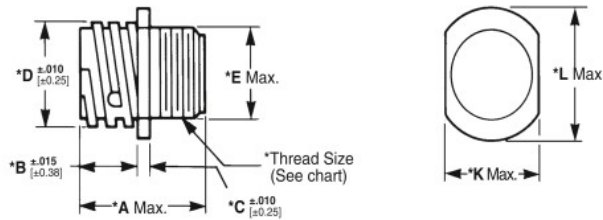
#### Square Flange Receptacle



**\*Note:**  
See page 32 for callout dimensions

Listed part numbers are for  
connectors only; **contacts must  
be ordered separately.**

#### Free-Hanging Receptacle



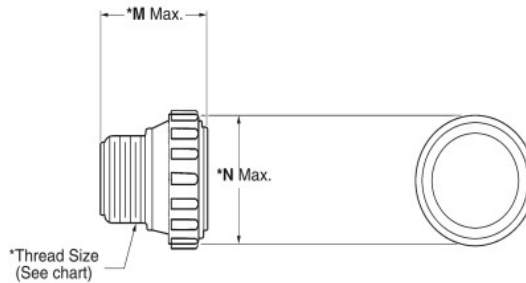
#### Material

**Housing**—Thermoplastic, 94V-0 rated,  
black

#### Related Product Data

- Contacts**—Pages 29-30
- Contact Arrangement**—Page 31
- Component Dimensions**—Page 32\*
- Accessories**—Pages 38-42
- Performance Characteristics**—  
Page 6
- Application Tooling**—Pages 76-79
- Technical Documents**—Page 80

#### Plug



#### Standard Sex Connectors

(Receptacles accept Size 20 DM or DF pin contacts, Plugs accept Size 20 DM or DF socket contacts)

Arrangement	Square Flange Receptacle		Free-Hanging Receptacle	Plug
	With Mounting Holes	With Threaded Inserts <sup>1</sup>		
11-8	205841-1	205841-3	205841-2	205838-1
11-9	206486-1	206852-8	206486-2	206485-1
17-28	205840-3	205840-4	206152-1	205839-3
23-63	205843-1	—	205843-2	205842-1

<sup>1</sup>Four 4-40 threaded inserts per receptacle.

#### Reverse Sex Connectors

(Receptacles accept Size 20 DM or DF socket contacts, Plugs accept Size 20 DM or DF pin contacts)

Arrangement	Square Flange Receptacle		Free-Hanging Receptacle	Plug
	With Mounting Holes	With Threaded Inserts <sup>1</sup>		
11-8	206433-1	206433-3	206433-2	206434-1
17-28	206038-1	206038-4	206038-2	206039-1
23-57	206438-1	—	206438-2	206437-1

<sup>1</sup>Four 4-40 threaded inserts per receptacle.

**Note:** For Standard and Reverse Sex Connectors the maximum wire insulation diameter is .068 [1.73].

#### Replacement Coupling Rings

Shell Size	Part No.
11	213811-1
17	213810-1
23	213812-1